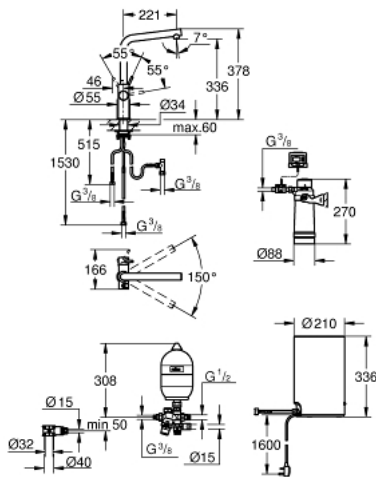


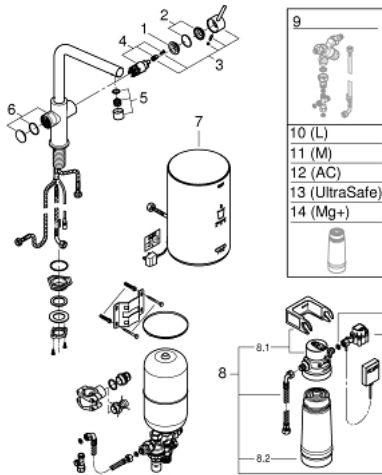
## 30 341 DA1 GROHE RED TAP AND M SIZE BOILER



### PRODUCT DESCRIPTION

- Consisting of:
  - **GROHE Red Duo single-lever sink mixer**
    - monobloc installation
    - L-spout
    - GROHE ChildLock push buttons for kettle hot water
    - TÜV certified triple electronic safeguards against accidental activation of boiling water
  - **GROHE StarLight finish**
  - 28 mm ceramic cartridge with **GROHE SilkMove**
    - insulated tubular spout
    - swivel area 150°
    - separate water ways
  - flexible connection hoses
- connection for GROHE Red boiler
- **GROHE Red boiler M size**
  - reservoir for kettle hot and hot water
  - 3 litre 99° C kettle hot water
  - 4 litre total capacity
  - required inlet pressure: 1-7 bar
  - with flexible connection hose and outlet for kettle hot water
  - CE approved
  - power supply 230 V 50 Hz
  - power consumption 2100 W
  - standby power consumption 15 W
  - energy efficiency class A
  - GROHE Red filter set
  - for protection of the boiler from limescale
  - Capacity 600 L at 20° dKH
  - 5 phase filter
  - flow rate measuring unit

## 30 341 DA1 GROHE RED TAP AND M SIZE BOILER



### SPARE PARTS

- 1: retaining ring (Order-nr. 07419000)
  - 4: Cartridge (Order-nr. 46580000)
  - 5: Please contact spare-part-info@grohe.com (Order-nr. NOSPAREPART)
  - 6: Operating unit (Order-nr. 46997DA0)
  - 7: Boiler Size M (Order-nr. 40842001)
  - 8: Filter with filter head (Order-nr. 40438001)
  - 8.1: Filter Head (Order-nr. 64508001)
  - 8.2: Filter S-Size (Order-nr. 40404001)
  - 9: Mixing valve (Order-nr. 40841001)\*
  - 10: Filter L-Size (Order-nr. 40412001)\*
  - 11: Filter M-Size (Order-nr. 40430001)\*
  - 12: Activated carbon filter (Order-nr. 40547001)\*
  - 13: UltraSafe filter (Order-nr. 40575001)\*
  - 14: Magnesium+ Filter (Order-nr. 40691001)\*
- \* Optional accessories