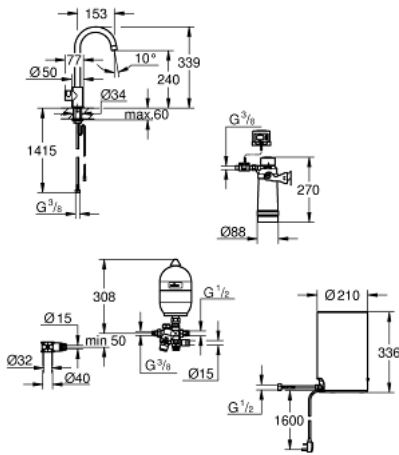


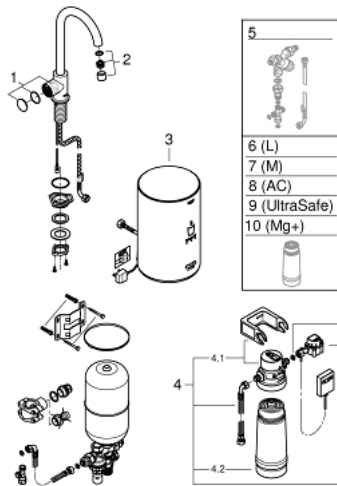
30 060 001 GROHE RED PILLAR TAP AND M SIZE BOILER



PRODUCT DESCRIPTION

- Consisting of:
 - **GROHE Red Mono pillar tap**
 - monobloc installation
 - C-spout
 - GROHE ChildLock push buttons for kettle hot water
 - TÜV certified triple electronic safeguards against accidental activation of boiling water
 - **GROHE StarLight** chrome finish
 - insulated tubular spout
 - swivel area 150°
 - connection for GROHE Red boiler
- **GROHE Red boiler M size**
 - reservoir for kettle hot and hot water
 - 3 litre 99° C kettle hot water
 - 4 litre total capacity
 - required inlet pressure: 1-7 bar
 - with flexible connection hose and outlet for kettle hot water
 - CE approved
 - power supply 230 V 50 Hz
 - power consumption 2100 W
 - standby power consumption 15 W
 - energy efficiency class A
 - GROHE Red filter set
 - for protection of the boiler from limescale
 - Capacity 600 L at 20° dKH
 - 5 phase filter
 - flow rate measuring unit

30 060 001 GROHE RED PILLAR TAP AND M SIZE BOILER



SPARE PARTS

- 1: Operating unit (Order-nr. 46997000)
 - 2: Flow restrictor (Order-nr. 13999000)
 - 3: Boiler Size M (Order-nr. 40842001)
 - 4: Filter with filter head (Order-nr. 40438001)
 - 4.1: Filter Head (Order-nr. 64508001)
 - 4.2: Filter S-Size (Order-nr. 40404001)
 - 5: Mixing valve (Order-nr. 40841001)*
 - 6: Filter L-Size (Order-nr. 40412001)*
 - 7: Filter M-Size (Order-nr. 40430001)*
 - 8: Activated carbon filter (Order-nr. 40547001)*
 - 9: UltraSafe filter (Order-nr. 40575001)*
 - 10: Magnesium+ Filter (Order-nr. 40691001)*
- * Optional accessories