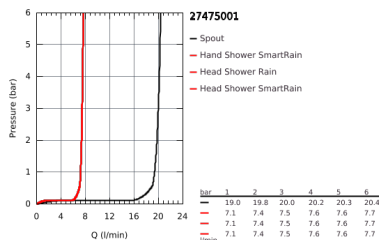
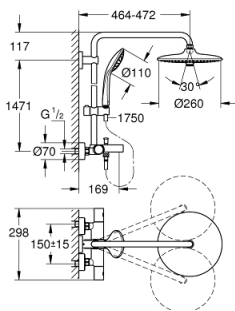
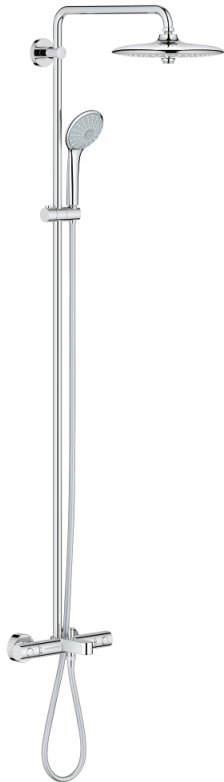


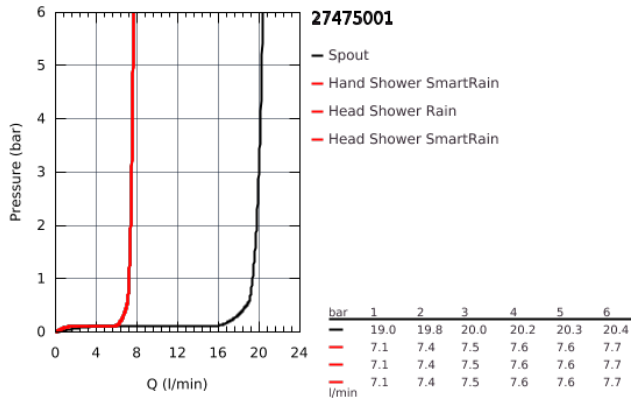
27 475 001 EUPHORIA SHOWER SYSTEM SHOWER SYSTEM WITH BATH THERMOSTAT FOR WALL MOUNTING



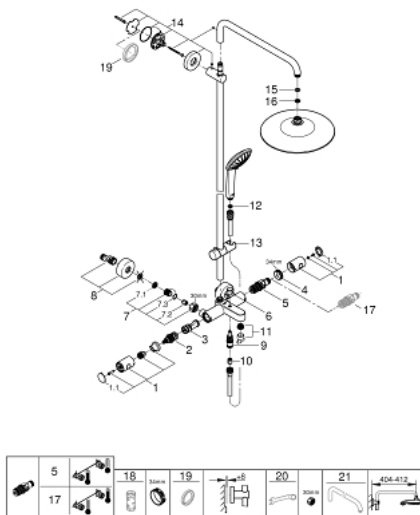
PRODUCT DESCRIPTION

- Consisting of:
 - horizontal swivable 450 mm projection shower arm
 - **exposed thermostatic shower** with Aquadimmer function
 - allows change between:
 - head shower Euphoria 260 (26 457)
 - 3 spray patterns:
 - Rain, SmartRain, Jet
 - with ball joint
 - rotation angle $\pm 15^\circ$
 - bath inlet
 - separate diverter for hand shower
 - hand shower Euphoria 110 Massage (27 239 000)
 - 3 spray patterns:
 - Rain, SmartRain, Massage
 - adjustable height via gliding element
 - Silverflex shower hose 1750 mm (28 388 000)
 - **GROHE EcoJoy** 9.5 l/min flow limiter
 - **GROHE TurboStat** compact cartridge with wax thermoelement
 - **GROHE SafeStop** safety button at 38°C (**calibration required**)
 - **GROHE SafeStop Plus** optional temperature limiter at 43°C included
 - **GROHE DreamSpray** perfect spray pattern
 - **GROHE StarLight** chrome finish
 - **GROHE SprayDimmer** (Stepless flow rate reduction)
 - **SpeedClean** anti-limescale system
 - **Inner WaterGuide** for a longer life
 - **Twistfree** preventing the hose from twisting
 - suitable for instantaneous heaters from 18 kW/h
 - minimum flow rate 7 l/min.

27 475 001 EUPHORIA SHOWER SYSTEM SHOWER SYSTEM WITH BATH THERMOSTAT FOR WALL MOUNTING



27 475 001 EUPHORIA SHOWER SYSTEM SHOWER SYSTEM WITH BATH THERMOSTAT FOR WALL MOUNTING



SPARE PARTS

- 1: Metal handle 1/2" (Order-nr. 47984000)
- 1.1: Cover Cap (Order-nr. 6458500M)
- 2: Aquadimmer (Order-nr. 47364000)
- 3: Water flow (Order-nr. 47887000)
- 4: retaining ring (Order-nr. 47743000)
- 5: Thermostatic compact cartridge 1/2" (Order-nr. 47439000)
- 6: Diverter knob (Order-nr. 65648000)
- 7: Non-return valve (Order-nr. 47189000)
- 7.1: Filter (Order-nr. 0726400M)
- 7.2: Non-return valve (Order-nr. 08565000)
- 7.3: O-Ring Ø17 x Ø2 (Order-nr. 0305500M)
- 8: S-union (Order-nr. 12662000)
- 9: Diverter (Order-nr. 65655000)
- 10: Non-return valve (Order-nr. 08565000)
- 11: Flow restrictor (Order-nr. 13926000)
- 12: Strainer (Order-nr. 0700200M)
- 13: Sliding piece (Order-nr. 12140000)
- 14: Outlet shower holder (Order-nr. 48279000)
- 15: Fibre seal dia. Ø 18,5 x Ø 12 x 2 (Order-nr. 0138900M)
- 16: Strainer (Order-nr. 48007000)
- 17: GROHE TurboStat cartridge 1/2" (Order-nr. 47175000)*
- 18: Socket Spanner (Order-nr. 19332000)*
- 19: Spacer (Order-nr. 27180000)*
- 20: Special Spanner (Order-nr. 19377000)*
- 21: Shower arm for shower systems (Order-nr. 14047000)*

* Optional accessories