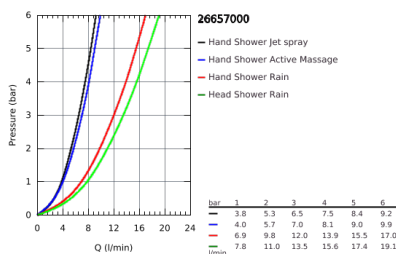
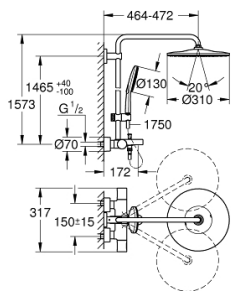
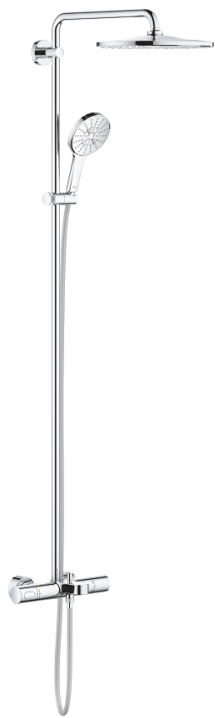


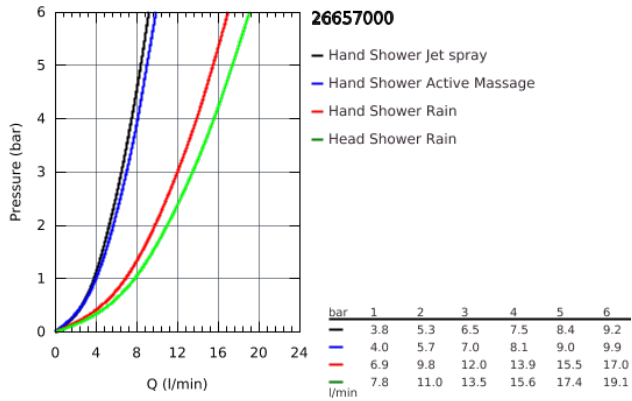
26 657 000 RAINSHOWER SYSTEM SHOWER SYSTEM WITH BATH THERMOSTAT FOR WALL MOUNTING



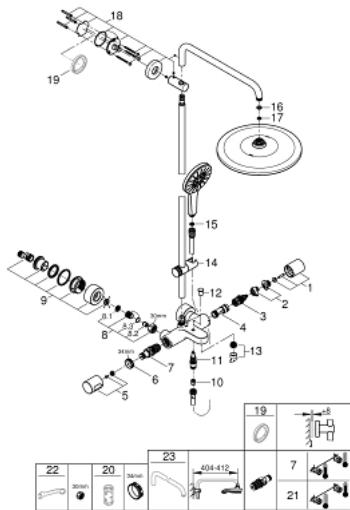
PRODUCT DESCRIPTION

- Consisting of:
 - horizontal swivable 450 mm projection shower arm
 - **exposed thermostatic shower** with Aquadimmer function
 - allows change between:
 - head shower Rainshower Mono 310 (26 562)
 - with ball joint
 - rotation angle $\pm 15^\circ$
 - bath inlet
 - separate diverter for hand shower
 - hand shower Rainshower SmartActive 130 (26 574)
 - adjustable height via gliding element
 - including performance grip
 - Silverflex shower hose 1750 mm (28 388 000)
 - **GROHE TurboStat** compact cartridge with wax thermoelement
 - **GROHE SafeStop** safety button at 38°C (calibration required)
 - **GROHE SafeStop Plus** optional temperature limiter at 43°C included
 - **GROHE CoolTouch** prevents scalding on hot surfaces
 - **GROHE DreamSpray** perfect spray pattern
 - **GROHE StarLight** chrome finish
 - **GROHE EcoJoy** 9.5 l/min flow limiter
 - **GROHE FastFixation** (upper bracket adjustable to adapt to existing holes)
 - **SpeedClean** anti-limescale system
 - **Inner WaterGuide** for a longer life
 - suitable for instantaneous heaters from 18 kW/h
 - minimum flow rate 7 l/min.

26 657 000 RAINSHOWER SYSTEM SHOWER SYSTEM WITH BATH THERMOSTAT FOR WALL MOUNTING



26 657 000 RAINSHOWER SYSTEM SHOWER SYSTEM WITH BATH THERMOSTAT FOR WALL MOUNTING



SPARE PARTS

- 1: Aquadimmer handle (Order-nr. 47804000)
 - 2: Temperature limiter (Order-nr. 47723000)
 - 3: Aquadimmer (Order-nr. 12433000)
 - 4: Water flow (Order-nr. 47751000)
 - 5: Temperature scale handle (Order-nr. 47811000)
 - 6: retaining ring (Order-nr. 47743000)
 - 7: Thermostatic compact cartridge 1/2" (Order-nr. 47439000)
 - 8: Non-return valve (Order-nr. 47189000)
 - 8.1: Filter (Order-nr. 0726400M)
 - 8.2: Non-return valve (Order-nr. 08565000)
 - 8.3: O-Ring Ø17 x Ø2 (Order-nr. 0305500M)
 - 9: S-union (Order-nr. 12693000)
 - 10: Non-return valve (Order-nr. 08565000)
 - 11: Diverter (Order-nr. 65655000)
 - 12: Diverter knob (Order-nr. 65648000)
 - 13: Flow restrictor (Order-nr. 13926000)
 - 14: Sliding piece (Order-nr. 48424000)
 - 15: Strainer (Order-nr. 0700200M)
 - 16: Fibre seal dia. Ø 18,5 x Ø 12 x 2 (Order-nr. 0138900M)
 - 17: Strainer (Order-nr. 48007000)
 - 18: Outlet shower holder (Order-nr. 48279000)
 - 19: Spacer (Order-nr. 27180000)*
 - 20: Socket Spanner (Order-nr. 19332000)*
 - 21: GROHE TurboStat cartridge 1/2" (Order-nr. 47175000)*
 - 22: Special Spanner (Order-nr. 19377000)*
 - 23: Shower arm for shower systems (Order-nr. 14047000)*
- * Optional accessories