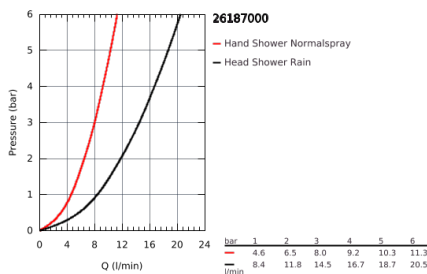
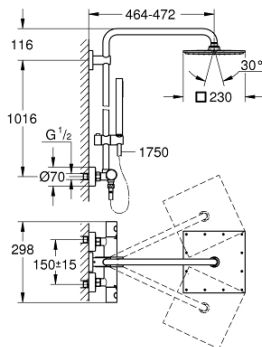


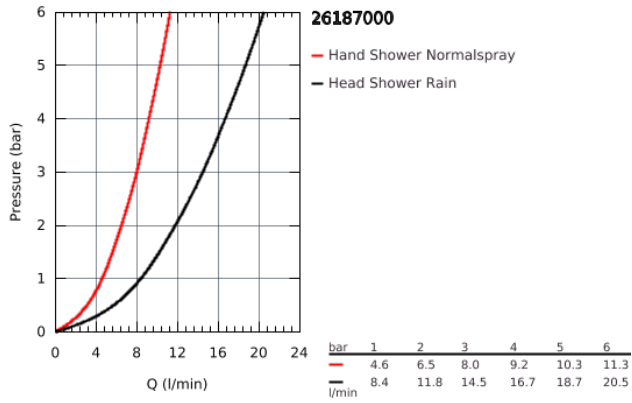
26 187 000 EUPHORIA SHOWER SYSTEM SHOWER SYSTEM WITH THERMOSTAT FOR WALL MOUNTING



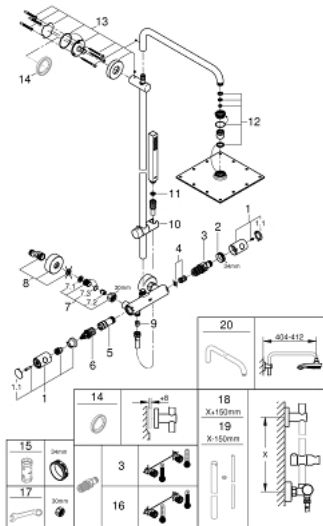
PRODUCT DESCRIPTION

- Consisting of:
 - horizontal swivable 450 mm projection shower arm
- **exposed thermostatic shower**
 - with Aquadimmer function
- allows change between:
 - head shower Allure 230 (27 479 000)
 - material: metal
 - Rain spray pattern
 - with ball joint
 - rotation angle $\pm 15^\circ$
- hand shower Euphoria Cube Stick (27 698 000)
- adjustable height via gliding element (12 140 000)
- Silverflex shower hose 1750 mm (28 388 000)
- **GROHE TurboStat** compact cartridge
 - with wax thermoelement
- **GROHE SafeStop** safety button at 38°C
 - (calibration required)
- **GROHE SafeStop Plus** optional temperature limiter at 43°C included
- **GROHE DreamSpray** perfect spray pattern
- **GROHE StarLight** chrome finish
- **SpeedClean** anti-limescale system
- **Inner WaterGuide** for a longer life
- **Twistfree** preventing the hose from twisting
- **GROHE MetalGrip** ergonomically shaped metal handles
- suitable for instantaneous heaters from 18 kW/h
- minimum flow rate 7 l/min.
- optional upgrade: **GROHE EasyReach** tray (26 362)

26 187 000 EUPHORIA SHOWER SYSTEM SHOWER SYSTEM WITH THERMOSTAT FOR WALL MOUNTING



26 187 000 EUPHORIA SHOWER SYSTEM SHOWER SYSTEM WITH THERMOSTAT FOR WALL MOUNTING



SPARE PARTS

- 1: Metal handle 1/2" (Order-nr. 47984000)
 - 1.1: Cover Cap (Order-nr. 6458500M)
 - 2: retaining ring (Order-nr. 47743000)
 - 3: Thermostatic compact cartridge 1/2" (Order-nr. 47439000)
 - 4: Sound absorber (Order-nr. 47398000)
 - 5: Water flow (Order-nr. 47751000)
 - 6: Aquadimmer (Order-nr. 12433000)
 - 7: Non-return valve (Order-nr. 47189000)
 - 7.1: Filter (Order-nr. 0726400M)
 - 7.2: Non-return valve (Order-nr. 08565000)
 - 7.3: O-Ring Ø17 x Ø2 (Order-nr. 0305500M)
 - 8: S-union (Order-nr. 12662000)
 - 9: Non-return valve (Order-nr. 08565000)
 - 10: Sliding piece (Order-nr. 12140000)
 - 11: Strainer (Order-nr. 0700200M)
 - 12: Inlet valve assembly (Order-nr. 48471000)
 - 13: Outlet shower holder (Order-nr. 48279000)
 - 14: Spacer (Order-nr. 27180000)*
 - 15: Socket Spanner (Order-nr. 19332000)*
 - 16: GROHE TurboStat cartridge 1/2" (Order-nr. 47175000)*
 - 17: Special Spanner (Order-nr. 19377000)*
 - 18: Shower system pipe for retrofitting (Order-nr. 48053000)*
 - 19: Shower system pipe for retrofitting (Order-nr. 48054000)*
 - 20: Shower arm for shower systems (Order-nr. 14047000)*
- * Optional accessories