

SPECIFICATION SHEET

COLLECTION: GEO

PRODUCT CODE: GEO-135-3/4-C/P



DESCRIPTION:

5 hole bath shower mixer
deck mounted
spout can swivel or be fixed
with water flow straightener
3/4" ceramic disc 1/4 turn valves
ceramic cartridge GEO-VALVE/CD/CL-3/4 and
GEO-VALVE/CD/HT-3/4
1 x 1/2" x 3/8" x 200cm showerhose FxF
3 x 3/4" x 3/4" x 500mm flexipipe connections
spout deck mount drill hole diameter 28-30mm
valve deck mount drill hole diameter 37mm
diverter deck mount drill hole diameter 46mm
handset deck mount drill hole diameter 30mm
min-max bath thickness 6-38mm
minimum operating pressure 1.5 bar MP

FINISH:

Chrome

FLOW REGULATOR:

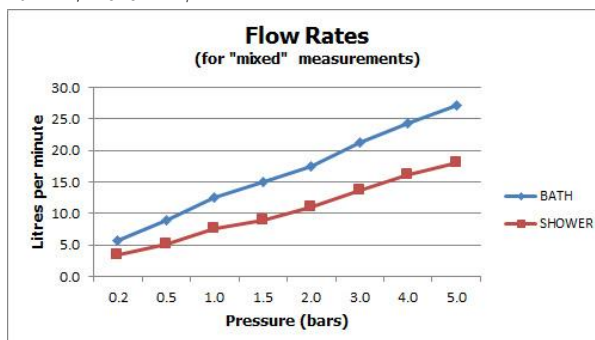
FR-SHOWER/9-C/P

MINIMUM OPERATING PRESSURE:

1.5 bar MP

FLOW RATE AT 3.0 BAR FLOW PRESSURE:

Bath: 21, Shower: 14 l/min



tel: 01934 744466
email: sales@vado.com
www.vado.com

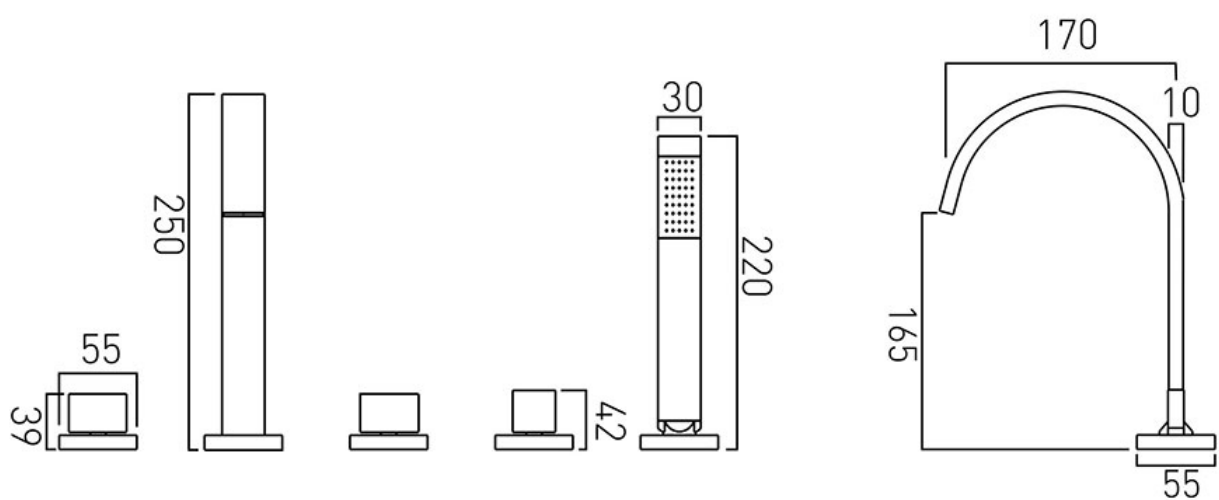
where inspiration flows
taps | showering | accessories



TECHNICAL DRAWING

COLLECTION: GEO

PRODUCT CODE: GEO-135-3/4-C/P



tel: 01934 744466
email: sales@vado.com
www.vado.com

where inspiration flows
taps | showering | accessories

