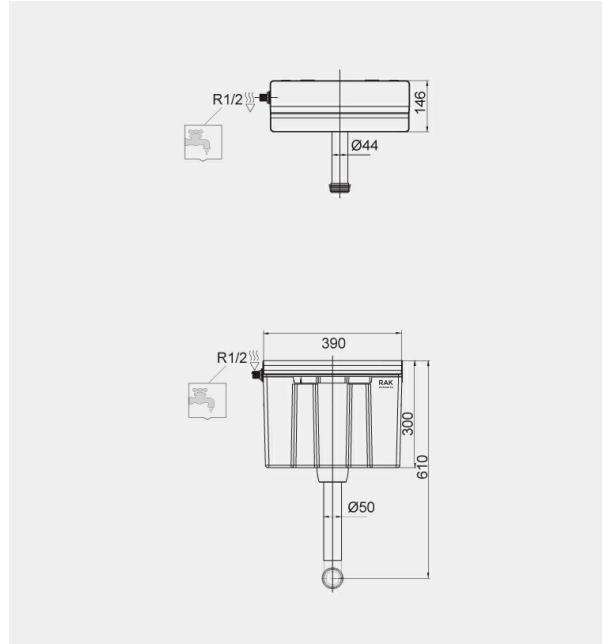


RAK-ECOFIX - FS12SRAKS1

Furniture Cisterns & Universal Frame

RAK
CERAMICS



Technical specifications

Dimensions:	390 x 300 mm
Color:	Alpine White
Flush capacity:	6/3L adjustable to 4.5/3L
Adjustable leg:	yes
Suites:	RAK-ECOFIX

Code	Name
FS12SRAKSI	SIDE INLET CONCEALED CISTERN FOR FURNITURE 82 cm

Dimensions: All measurements are in millimeters and are subject to normal manufacturing variations.
Note: Due to a continuing development programme to improve design and performance, the manufacturer reserves all rights to vary specifications without prior information.
Please note accessories are for photographic use only.