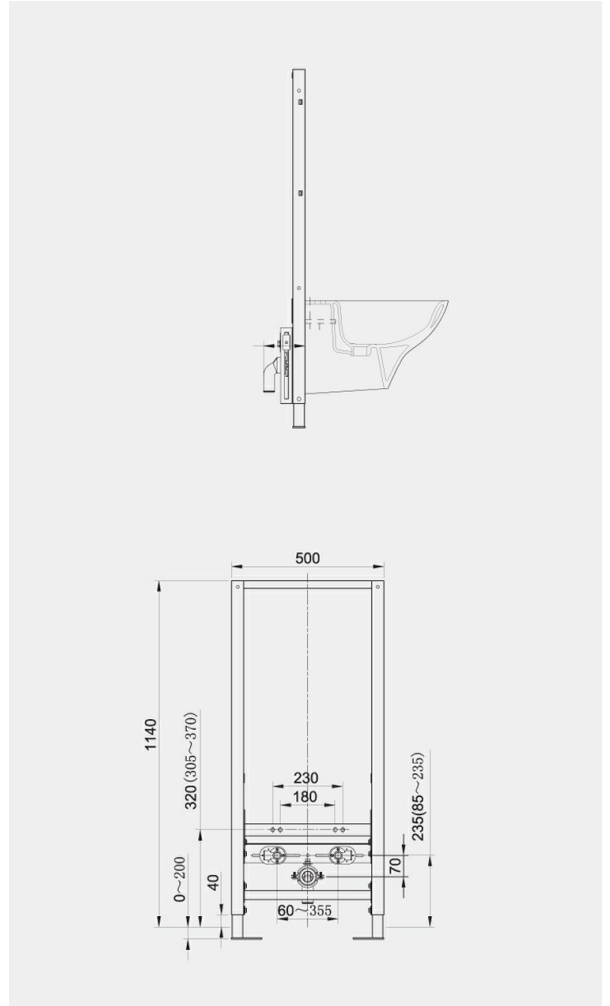


RAK-ECOFIX - FS09RAKC

Furniture Cisterns & Universal Frame

RAK
CERAMICS



Technical specifications

Dimensions:	500 x 1140 mm
Color:	Orange
Flush capacity:	6/3L adjustable to 4.5/3L
Suites:	RAK-ECOFIX

Code	Name
FS09RAKC	CONCEALED METAL FRAME FOR WALL HUNG BIDET

Dimensions: All measurements are in millimeters and are subject to normal manufacturing variations.
Note: Due to a continuing development programme to improve design and performance, the manufacturer reserves all rights to vary specifications without prior information.
Please note accessories are for photographic use only.