

THESE INSTRUCTIONS WILL HELP YOU TO GET THE BEST OUT OF YOUR CALYPSO BATHROOM FURNITURE.

Please read the important notes below and check all products thoroughly before beginning installation.

1. Woodstock Trading Company assumes that these products will be fitted by experienced, competent and qualified installers to validate the Woodstock 5 year guarantee. A non-professional installation may invalidate this guarantee. The consumer's statutory rights are not affected.
2. Do not fit any damaged or defective product - contact your bathroom furniture supplier immediately.
3. Calypso bathroom furniture is designed for domestic environments only. These environments must be adequately ventilated and it is strongly recommended that a suitable extractor fan is installed to prevent condensation build up and to prevent damage to the furniture.
4. MDF or MFC based bathroom furniture must never be installed next to unscreened showers or in wet rooms or in areas where it will come in to regular direct contact with water.
5. Any cut panel edges must be sealed with a good quality PVA or silicone based sealant, especially the rear edge of any trimmed worktops or abutments to basins. Failure to do this will invalidate the guarantee.
6. All points where worktops or furniture abut walls, floors or basins should be sealed with a bead of silicone to prevent capillary action causing water ingress into the units.

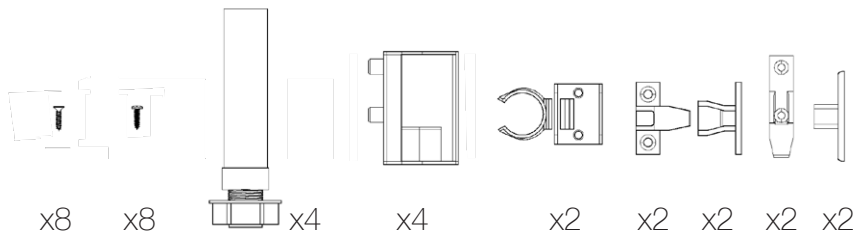




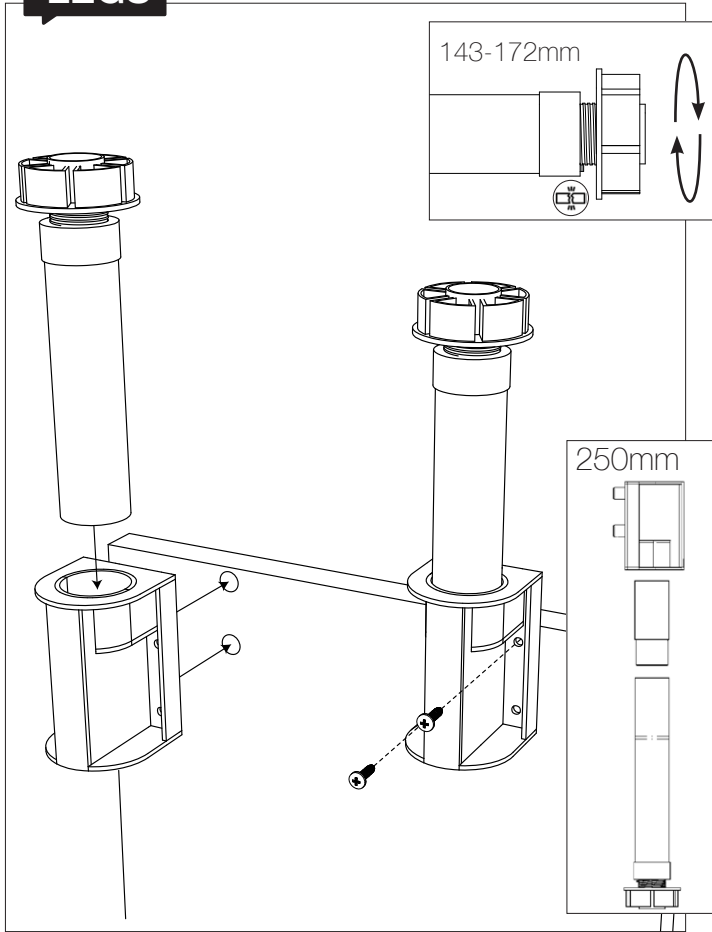
CALYPSO

WC UNIT

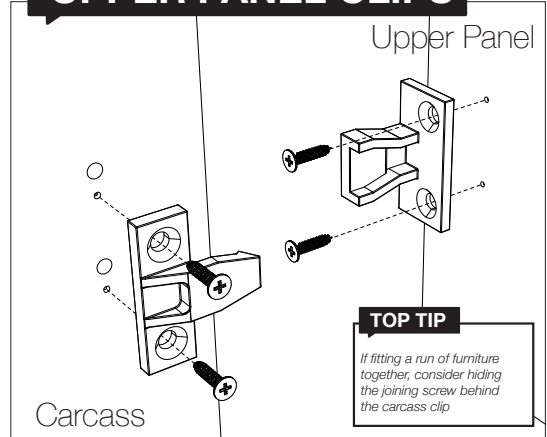
FITTING INSTRUCTIONS



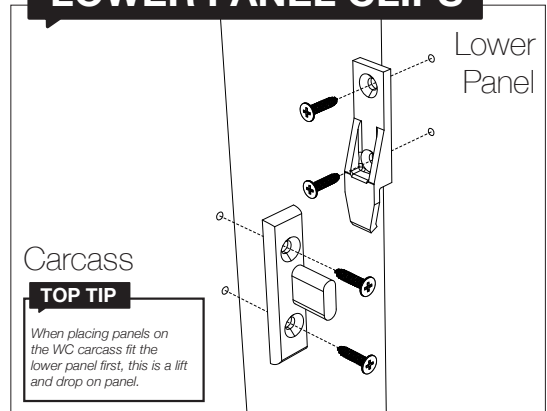
LEGS



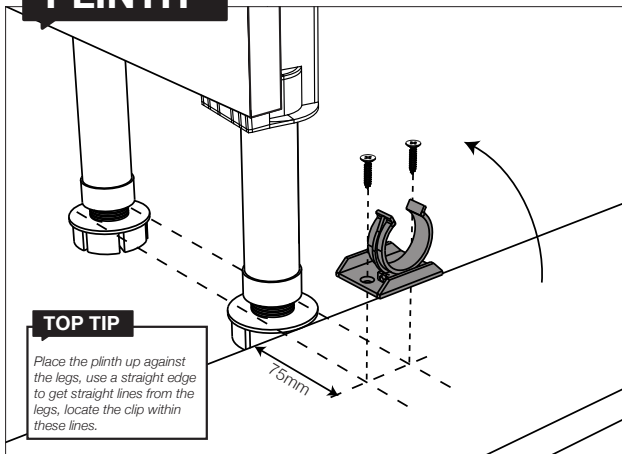
UPPER PANEL CLIPS



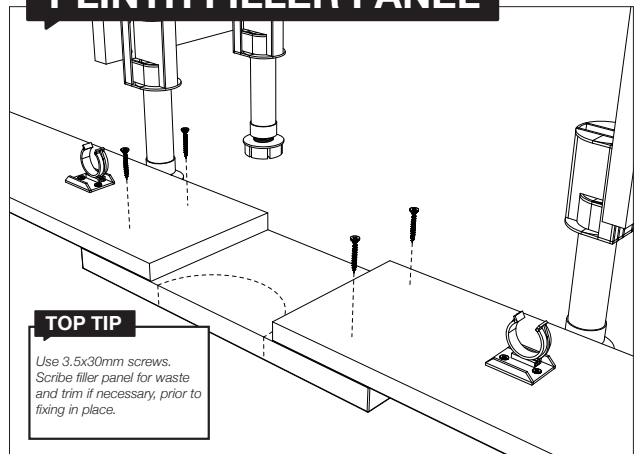
LOWER PANEL CLIPS



PLINTH



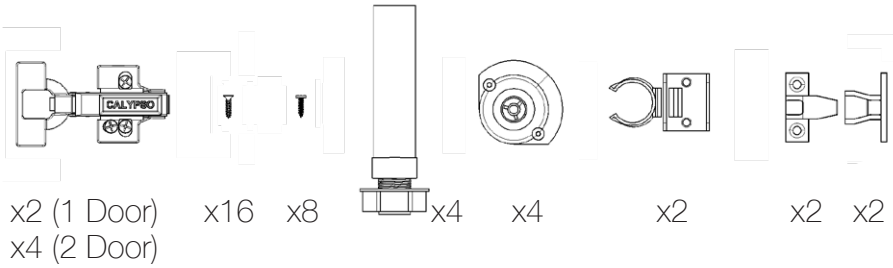
PLINTH FILLER PANEL



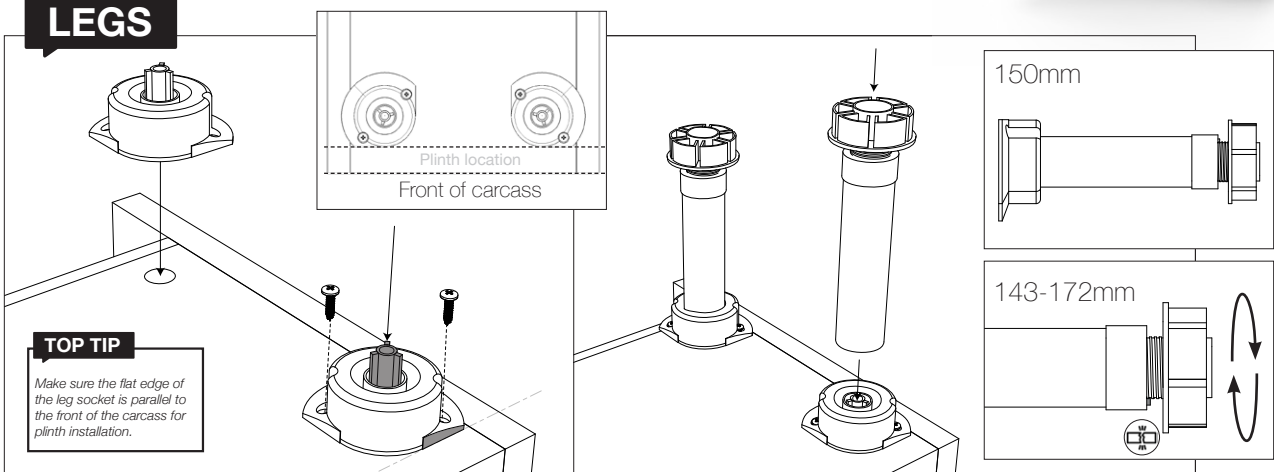


BASIN UNIT

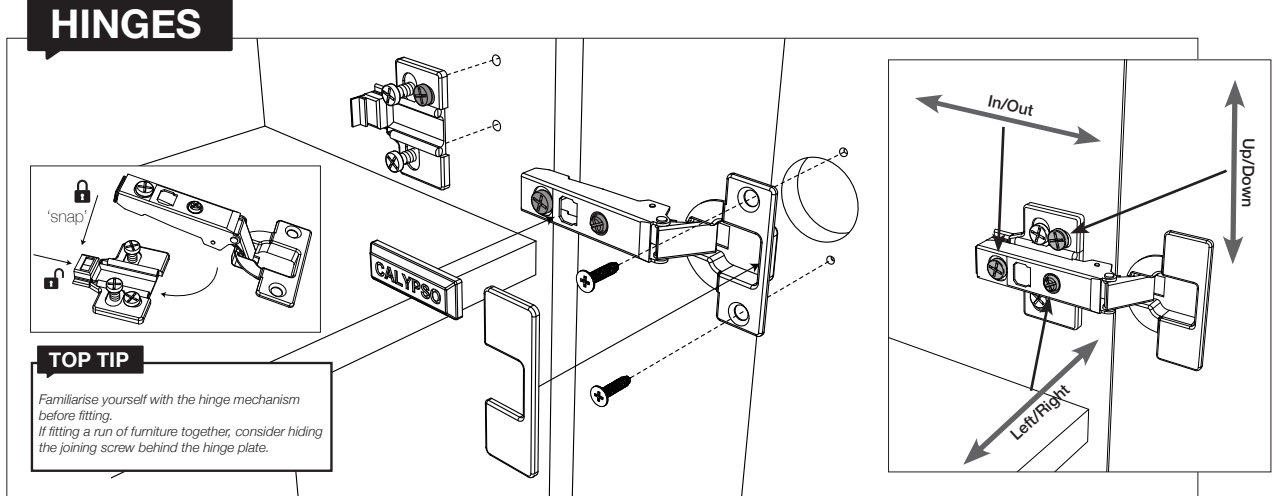
FITTING INSTRUCTIONS



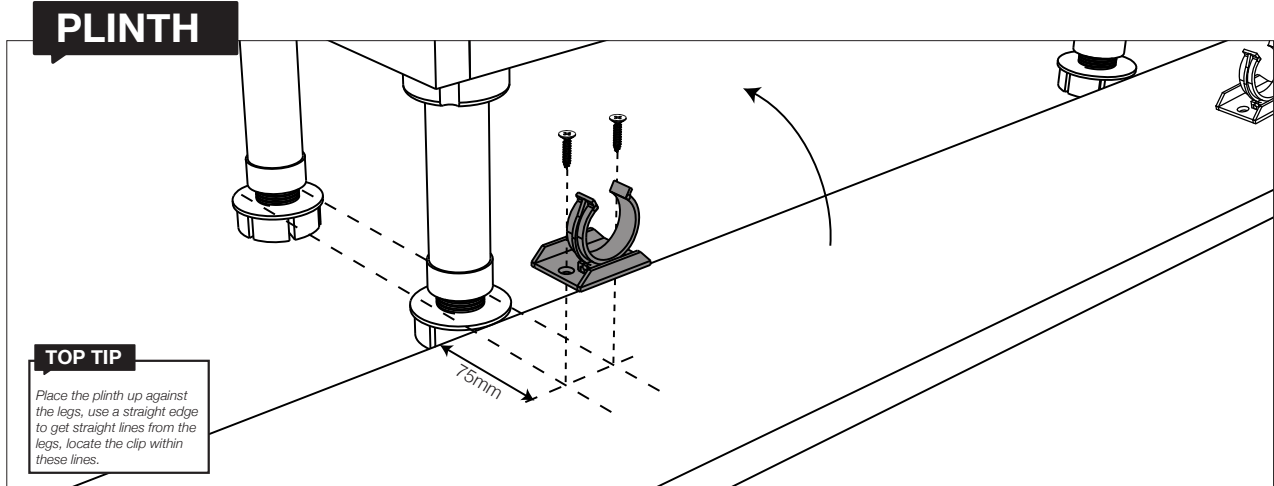
LEGS



HINGES



PLINTH



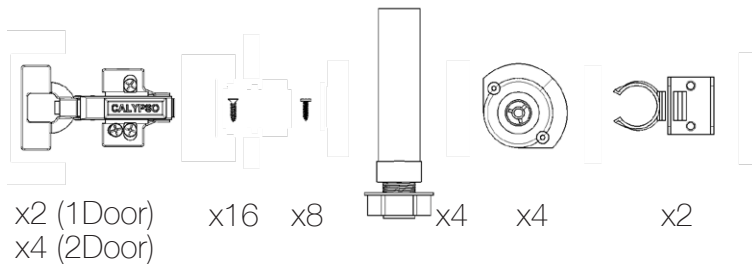
FOR WALL HANGING INSTALLATION PLEASE SEE ADDITIONAL INSTRUCTIONS ON PAGE 6.



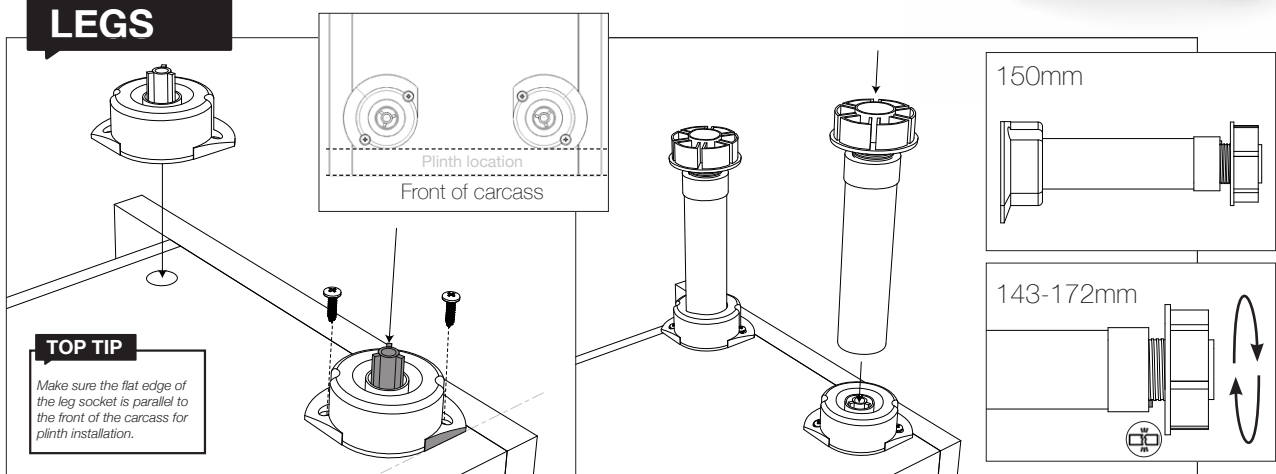
CALYPSO

BASE UNIT

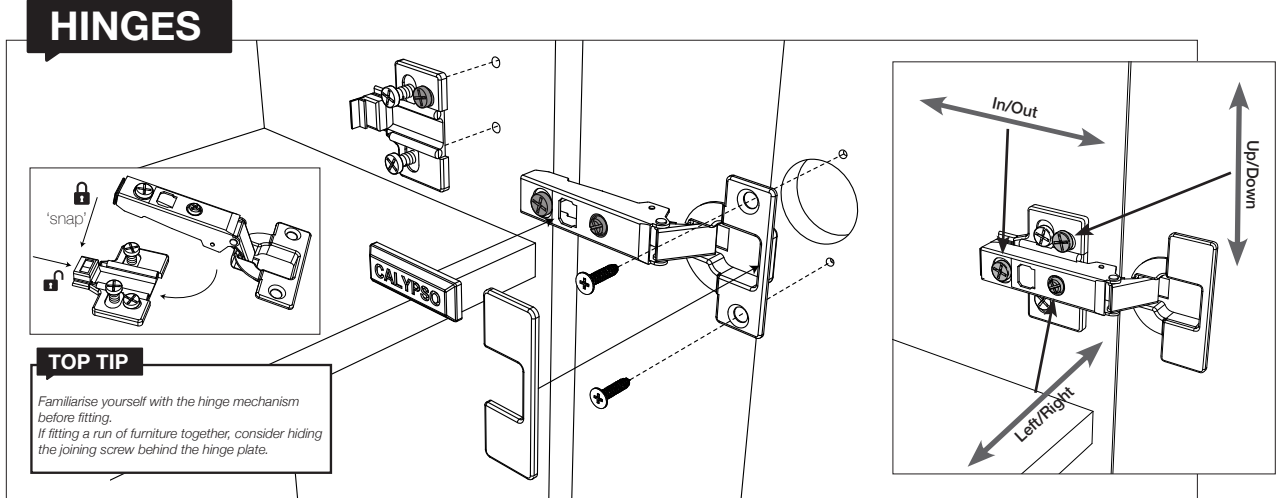
FITTING INSTRUCTIONS



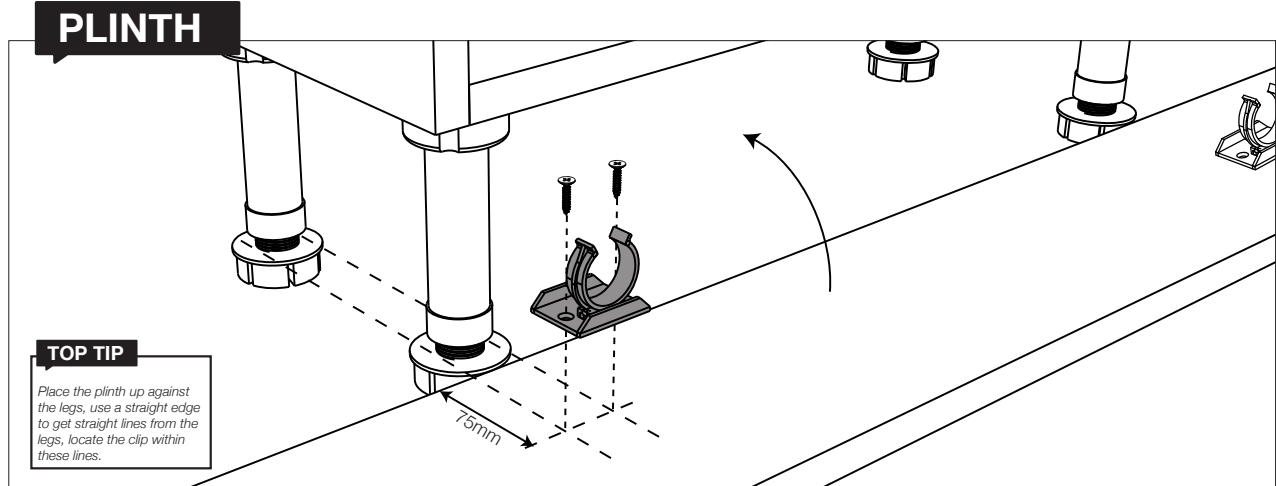
LEGS



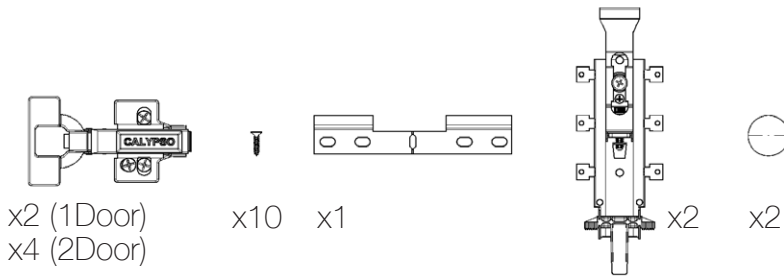
HINGES



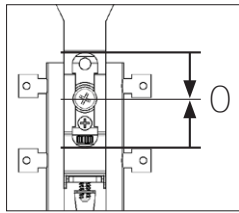
PLINTH



FOR WALL HANGING INSTALLATION PLEASE SEE ADDITIONAL INSTRUCTIONS ON PAGE 6.

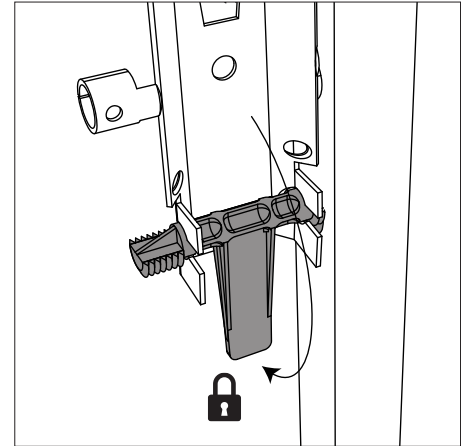
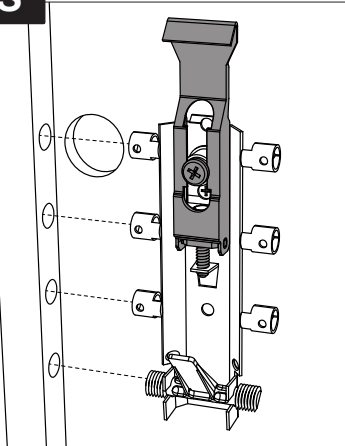


HANGING BRACKETS

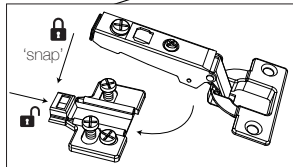


TOP TIP

Centralise the wall hanging adjustment screw prior to hanging the wall unit. This way you have maximum vertical adjustment.

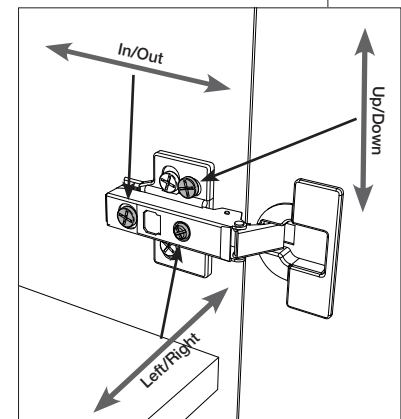
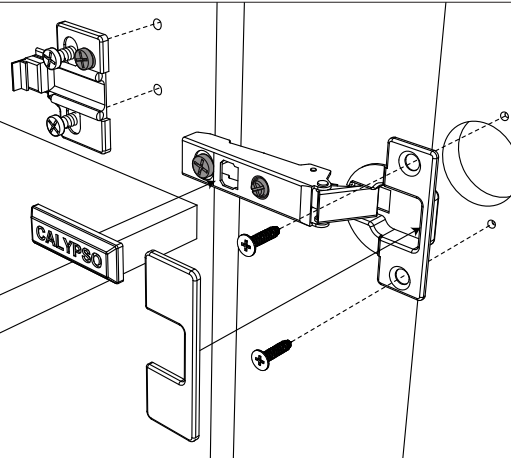


HINGES

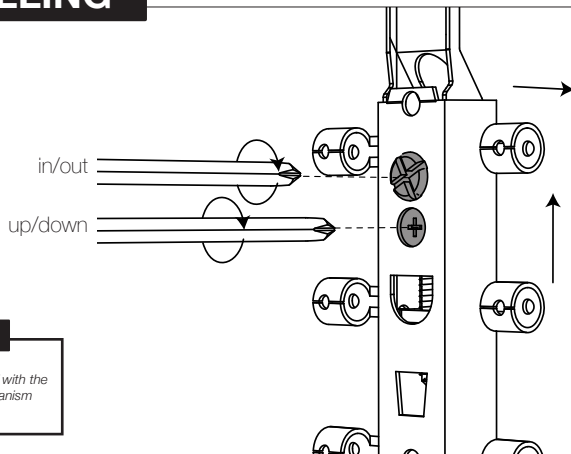


TOP TIP

Familiarise yourself with the hinge mechanism before fitting. If fitting a run of furniture together, consider hiding the joining screw behind the hinge plate.

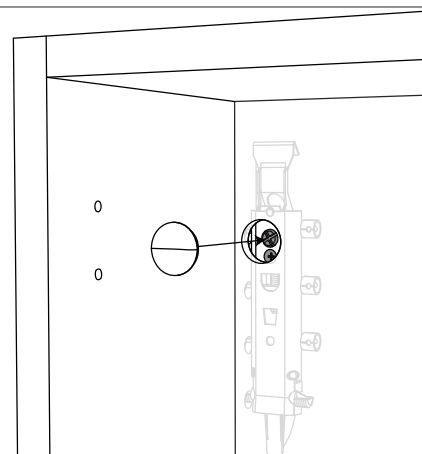


LEVELLING

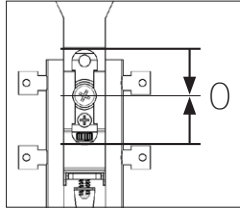


TOP TIP

Familiarise yourself with the wall hanging mechanism before fitting.

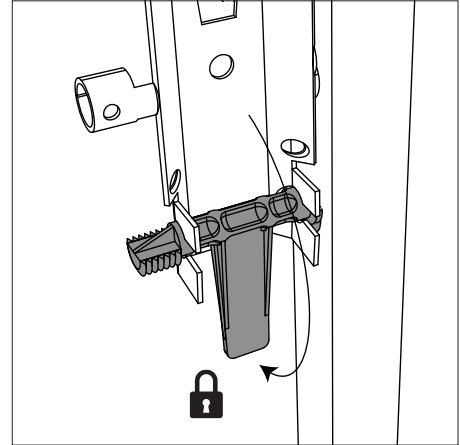
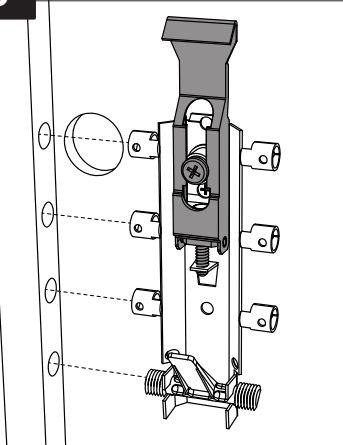


HANGING BRACKETS

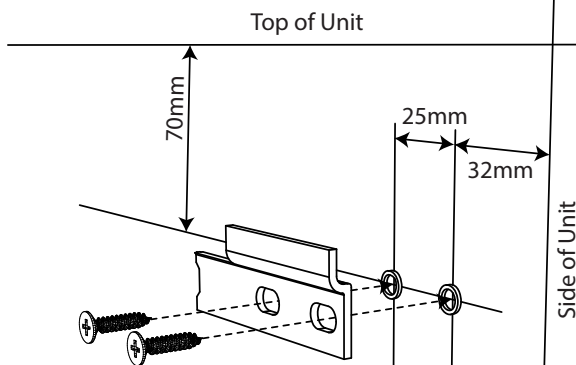


TOP TIP

Centralise the wall hanging adjustment screw prior to hanging the wall unit. This way you have maximum vertical adjustment.

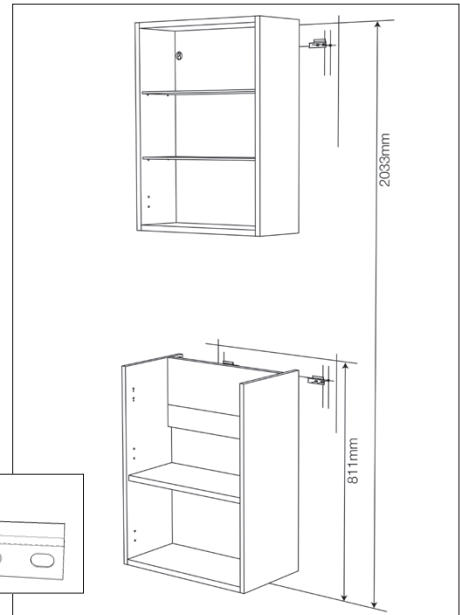
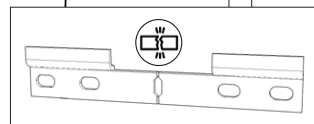


HANGING PLATES

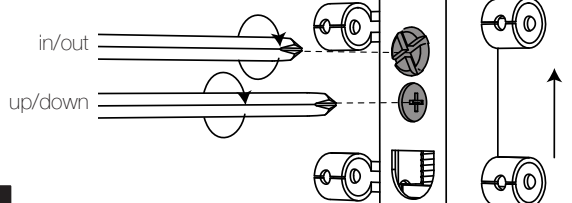


TOP TIP

Draw a horizontal level line where the top of the unit will be. Draw vertical lines for the sides of the unit.

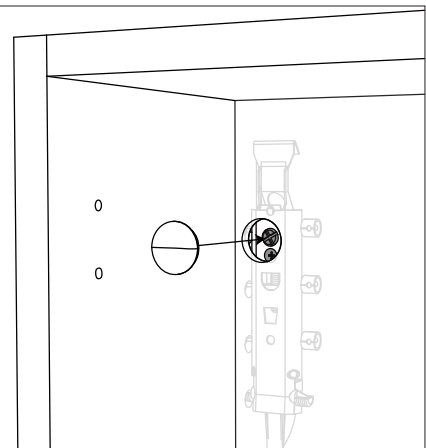


LEVELLING



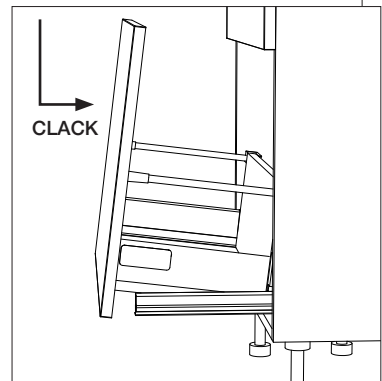
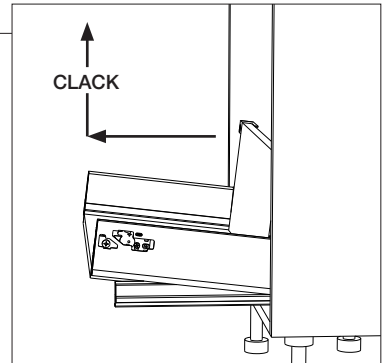
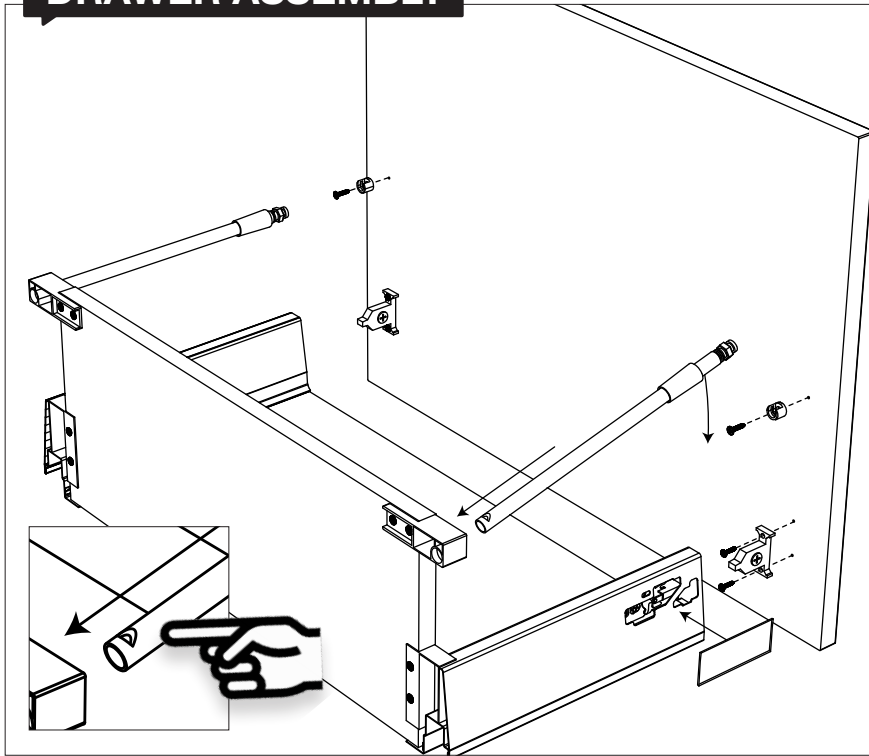
TOP TIP

Familiarise yourself with the wall hanging mechanism before fitting.

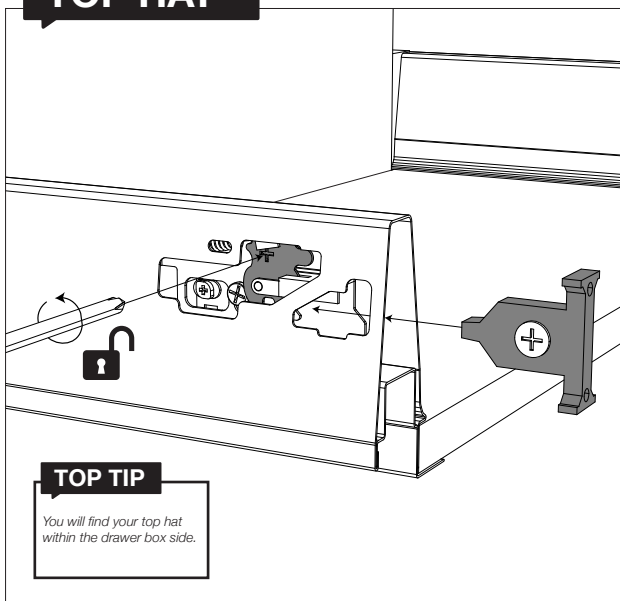




DRAWER ASSEMBLY



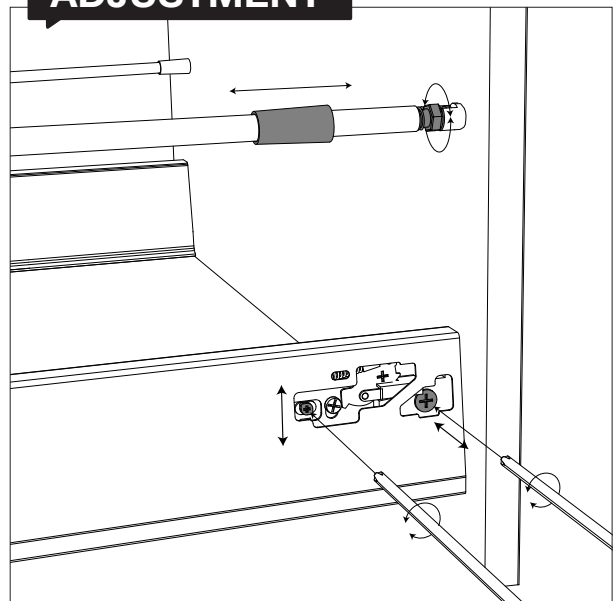
TOP HAT



TOP TIP

You will find your top hat within the drawer box side.

ADJUSTMENT



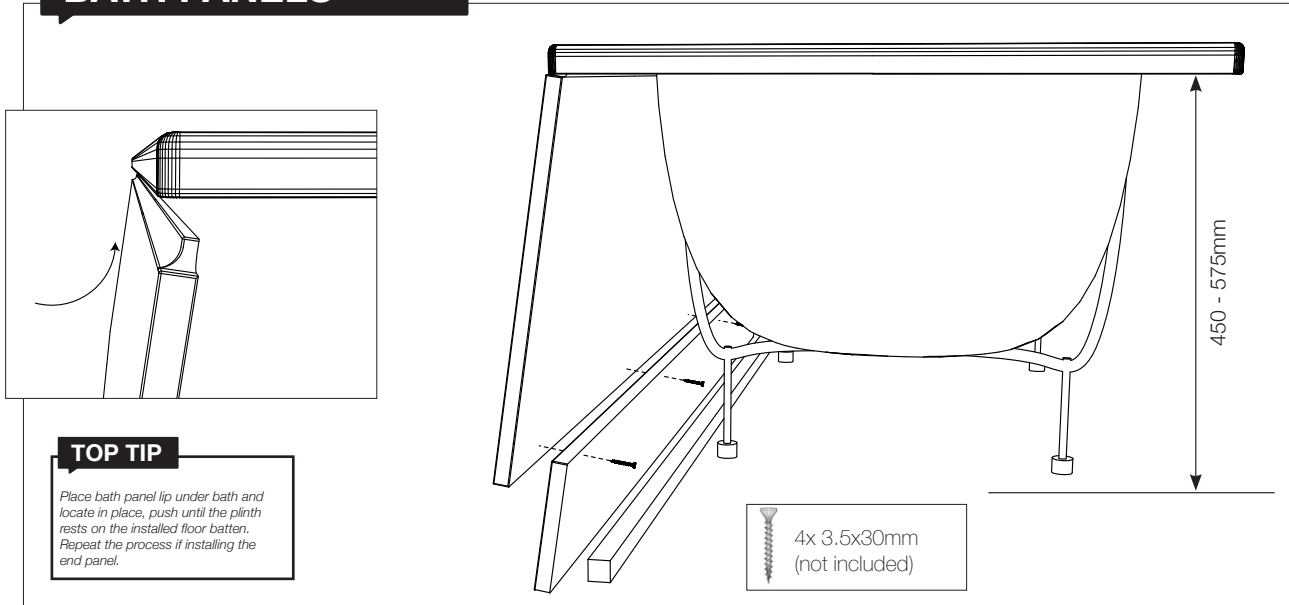


CALYPSO

BATH PANELS & WORKTOPS

FITTING INSTRUCTIONS

BATH PANELS



WORKTOPS

Vinyl, Oak and Postformed Worktop joints should be machined with a router using a worktop jig, and glued with a suitable adhesive and worktop bolts. Silicone or Worktop Brackets (3137) can be used to fix these worktops to the base units. ALL CUT AND EXPOSED EDGES ON THESE WORKTOPS MUST BE SEALED.

Calypstone is an acrylic based product with all the practicalities of a hard wood, meaning it can be cut using common woodworking tools. A jigsaw with a good quality blade is ideal for initial cuts and should always be approached from the front profile of the worktop, ensure any off cuts are well supported.

If the cut end is to be a exposed, glance the cut with a sharp bladed router, then sand a 3mm top and bottom radius along the length of the cut.

Finish with the gentle application of mildly abrasive rubbing compound and finally polish. All components required are available in the Calypstone Repair Kit (7470.04).

Silicone can be used to set Calypstone worktops on to the base units. If joining two pieces of Calypstone, apply a bead of silicone along the joint edge of the first piece and push the second piece firmly in to place to create the joint. For best results, apply as much pressure as possible to squeeze out any excess silicone to leave a minimal joint line. Clean off the excess silicone promptly.

CARING FOR YOUR FURNITURE

By following some simple care and cleaning guidelines, Woodstock furniture can be expected to give many years trouble free service.

All water spills, standing water and sprays **must** be wiped clean and mopped dry immediately. If left on a surface, water will cause damage.

On completion of installation, all sawdust must be removed from the units, and drawer runners inspected carefully with any dirt or grit being removed to ensure a smooth running action prior to full use.

Calypstone worktops can be kept in prime condition with the use of one of our Calypstone Care Kits which can be purchased from your Calypso Bathroom Furniture dealer.

Never use chemical or abrasive cleaners, bleach or furniture polishes on any bathroom furniture as the finish can be affected. Clean only with a soft damp cloth and a mild soap solution as necessary.

Solid Oak is a very hard-wearing material and its looks are enhanced with wear over the years. Occasional application of a wax-based furniture polish should be all that is needed to maintain its finish.

DO NOT USE household cleaners or abrasive powders on oak, and remove any spills or stains immediately with a soft damp cloth and mild detergent (washing-up liquid). Excessive moisture or water spills will darken the oak surface.



FittingInstructions_FF12 V191218 | page8