

# SPECIFICATION SHEET

**COLLECTION:** ELEMENTS

**PRODUCT CODE:** ELE-CMA/4IN-C/P



**DESCRIPTION:**

fixed head ceiling mounting arm  
100mm (4")  
1/2" x 70mm threaded inlet  
1/2" threaded outlet

**FINISH:**

Chrome

**FLOW REGULATOR:**

N



tel: 01934 744466  
email: sales@vado.com  
www.vado.com

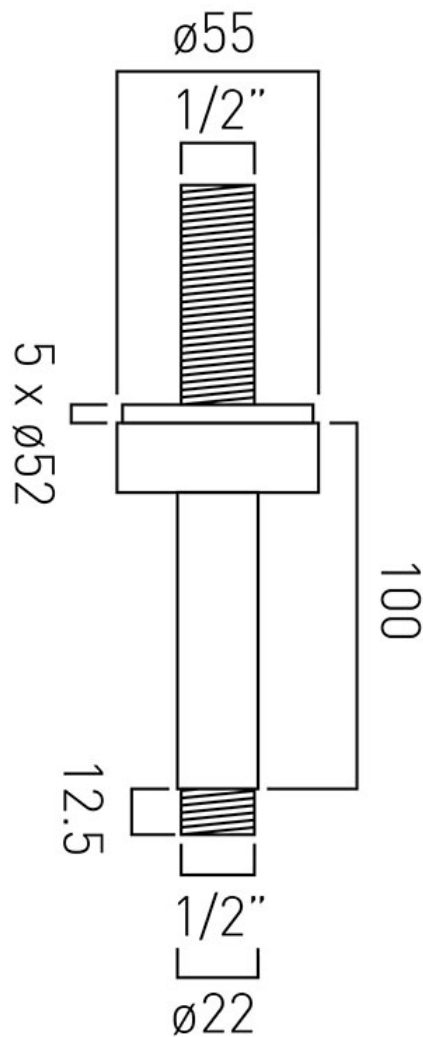
**where inspiration flows**  
taps | showering | accessories



# TECHNICAL DRAWING

**COLLECTION:** ELEMENTS

**PRODUCT CODE:** ELE-CMA/4IN-C/P



tel: 01934 744466  
email: sales@vado.com  
www.vado.com

**where inspiration flows**  
taps | showering | accessories

