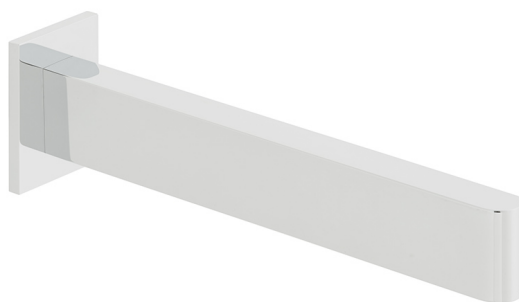


SPECIFICATION SHEET

COLLECTION: EDIT

PRODUCT CODE: EDI-140-C/P



DESCRIPTION:

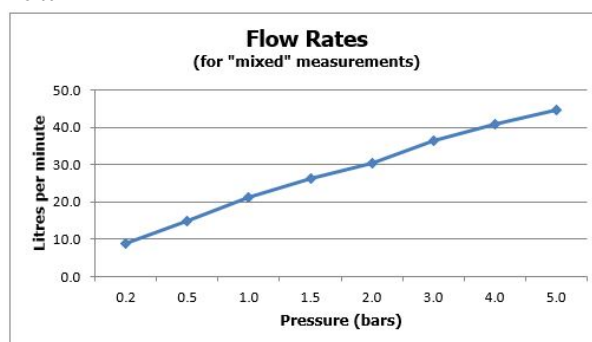
bath spout
wall mounted
1/2" inlet
minimum operating pressure 1.0 bar MP (bath)

FINISH:

Chrome

MINIMUM OPERATING PRESSURE:

1.0 bar MP



tel: 01934 744466
email: sales@vado.com
www.vado.com

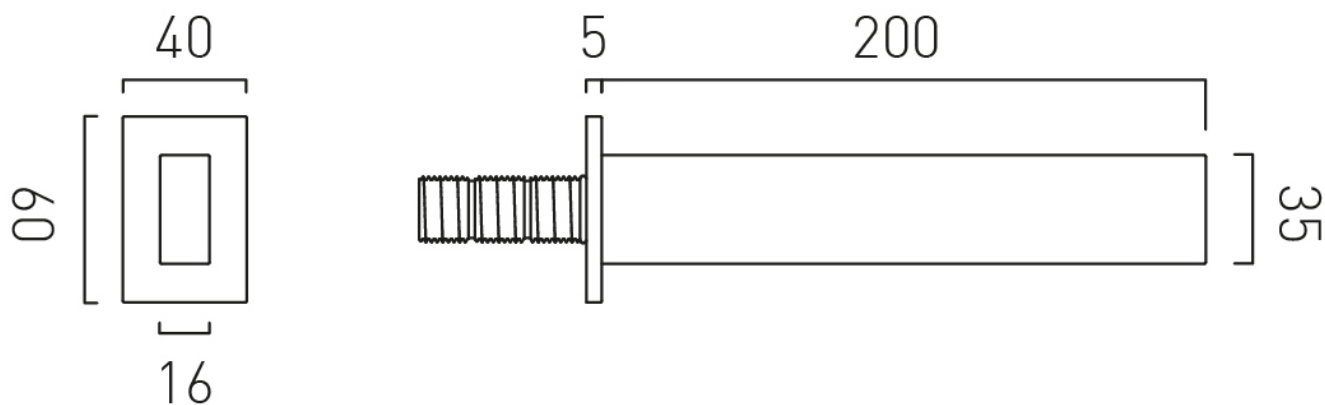
where inspiration flows
taps | showering | accessories



TECHNICAL DRAWING

COLLECTION: EDIT

PRODUCT CODE: EDI-140-C/P



tel: 01934 744466
email: sales@vado.com
www.vado.com

where inspiration flows
taps | showering | accessories

