

# Concept Close Coupled WC Pan Arc With Aquablade Technology

## ILLUSTRATED

- E8229** Concept close coupled wc pan with horizontal outlet and Aquablade technology
- E7855** Concept Arc close coupled delay fill, valve cistern 4/2.6 litre dual flush push button bottom supply and internal overflow
- E7726** Concept, slim seat and cover, slow close

## OPTIONS

- E7860** Concept Arc close coupled cistern 6/4 litre dual flush push button valve bottom supply and internal overflow
- E7725** Concept, slim seat and cover
- E7917** Concept, seat and cover, slow close
- E7918** Concept, seat and cover
- E3222** Panekta outlet Connector, finned pattern to convert horizontal outlet WCs to P trap
- S4300** Panekta outlet Connector, finned pattern to convert horizontal outlet WCs to S or turned P trap

## ILLUSTRATED PRODUCT DETAILS


### Weights

- E8229** 27.20 KG
- E7855** 11.36 KG
- E7726** 2.10 KG

### Materials

- E8229** Vitreous China
- E7855** Vitreous China
- E7726** Plastic

### Finishes

- E8229**  White (01)
- E7855**  White (01)
- E7726**  White (01)

### Capacity

- E7855** 4 litres

### Designer

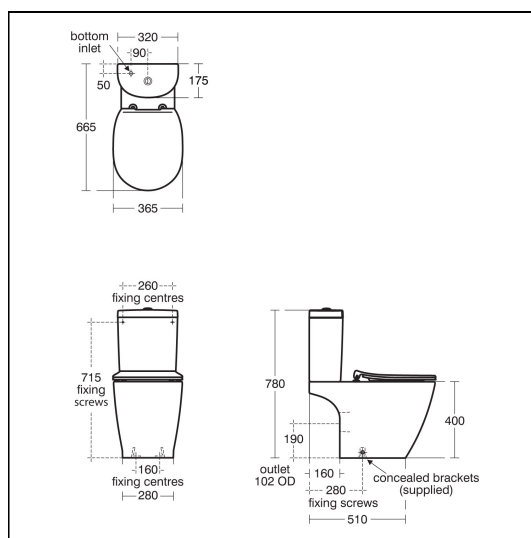
Robin Levien, RDI

### Standards

Vitreous china to BS 3402, BS EN 997 & BS EN 33

### Special Notes

WC screwed to floor and cistern screwed to wall



## ACCREDITATIONS

### E7860(01)

<b>water label</b> 		<b>4.5</b>	Average Flushing Volume (Litres)
---	---	------------	----------------------------------

### E7855(01)

<b>water label</b> 		<b>3.0</b>	Average Flushing Volume (Litres)
---	---	------------	----------------------------------



Flush Valve  
1307005



Inlet Valve  
NSF171723

## FEATURES