

Concept Close Coupled Back To Wall WC Pan Arc With Aquablade Technology

ILLUSTRATED

- E8228** Concept close coupled back to wall wc pan with horizontal outlet and Aquablade technology
- E7855** Concept Arc close coupled delay fill, valve cistern 4/2.6 litre dual flush push button bottom supply and internal overflow
- E7726** Concept, slim seat and cover, slow close

OPTIONS

- E7860** Concept Arc close coupled cistern 6/4 litre dual flush push button valve bottom supply and internal overflow
- E7725** Concept, slim seat and cover
- E7917** Concept, seat and cover, slow close
- E7918** Concept, seat and cover
- E3222** Panekta outlet Connector, finned pattern to convert horizontal outlet WCs to P trap
- S4300** Panekta outlet Connector, finned pattern to convert horizontal outlet WCs to S or turned P trap

ILLUSTRATED PRODUCT DETAILS

Weights

- E8228** 31.00 KG
- E7855** 11.36 KG
- E7726** 2.10 KG

Materials

- E8228** Vitreous China
- E7855** Vitreous China
- E7726** Plastic

Finishes

- E8228** White (01)
- E7855** White (01)
- E7726** White (01)

Capacity

- E7855** 4 litres

Designer

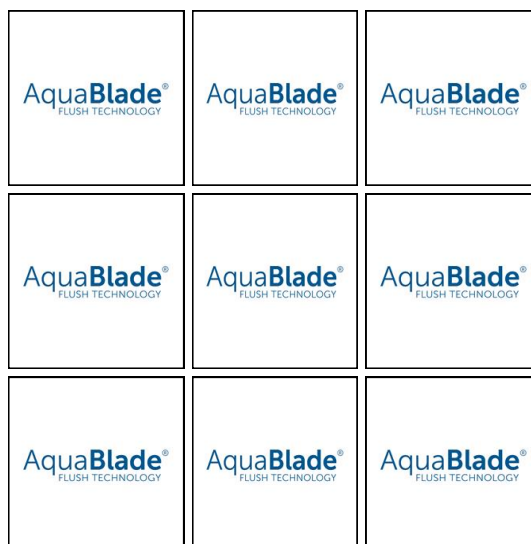
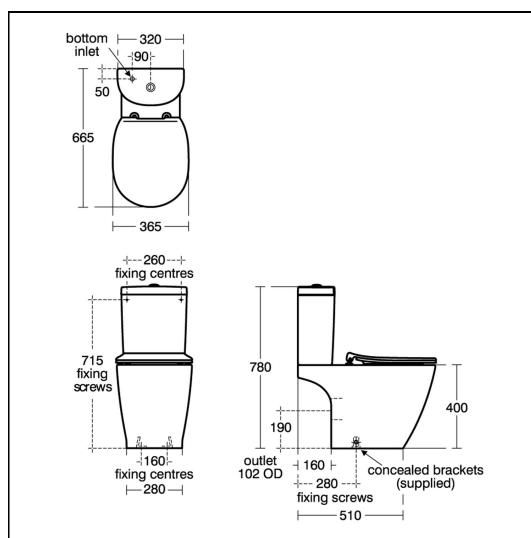
Robin Levien, RDI

Standards

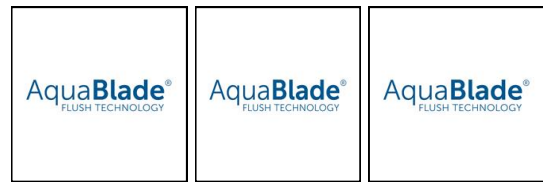
Vitreous china to BS 3402, BS EN 997 & BS EN 33

Special Notes

WC screwed to floor and cistern screwed to wall. Joint to wall sealed with waterproof sealant (not supplied)



Concept Close Coupled Back To Wall WC Pan Arc With Aquablade Technology



ACCREDITATIONS

E7860(01)



E7855(01)



Flush Valve
1307005



Inlet Valve
NSF171723

FEATURES

