

Concept Cube 40cm Handrinse Washbasin

ILLUSTRATED

- E8031** Concept Cube 40cm handrinse washbasin, 1 taphole with overflow
- E7840** Concept small semi-pedestal
- E0157** Wall fixing set
- B8062** Active single lever one hole basin mixer with pop-up waste.
- S8950** Trap 1¼" plastic P for use with cloakroom pedestal

OPTIONS

- E7838** Concept handrinse pedestal
- E1443** Concept 300 x 300mm full pedestal washbasin unit with 1 door



ILLUSTRATED PRODUCT DETAILS

Sizes

E8031 w:400 x d:360





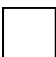
Weights

- E8031** 10.08 KG
- E7840** 5.58 KG
- E0157** 0.16 KG
- B8062** 2.42 KG
- S8950** 1.00 KG

Materials

- E8031** Fine Fireclay
- E7840** Fine Fireclay
- E0157** Metal
- B8062** Chrome Plated Brass
- S8950** Plastic

Finishes

- E8031**  White (01)
- E7840**  White (01)
- E0157**  Neutral / No Finish (67)
- B8062**  Chrome (AA)
- S8950**  Neutral / No Finish (67)

Capacity

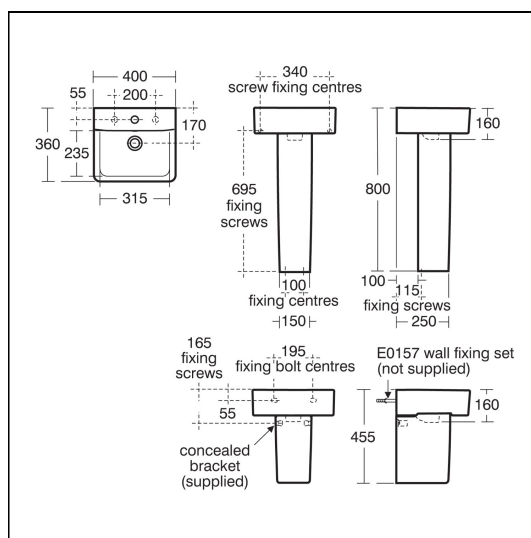
E8031 2 litres

Flow rates

B8062 5 Litres per minute @ 3 bar pressure

Designer

Robin Levien, RDI



Standards

Washbasin to BS EN 14688 & BS EN 31

Special Notes

Washbasin wall mounted using E0157 wall fixing set with semi-pedestal fixed to wall with brackets supplied, or full pedestal mounted using 2 screws through the back of the basin (not supplied). When fitted with furniture washbasin must be secured to wall with E0157 wall fixing set