

Concept Cube 50cm Short Projection Semi-Countertop Washbasin, 1 RH Taphole

ILLUSTRATED

- E7799** Concept Cube 50cm short projection semi countertop washbasin, glazed back edge, 1 right hand taphole with overflow
- B9915** Concept Blue washbasin mixer 1 hole with pop-up waste
- S8910** Trap 1¼" plastic bottle, 75mm seal, multi-purpose outlet

ILLUSTRATED PRODUCT DETAILS




Weights

- E7799** 12.73 KG
- B9915** 1.89 KG
- S8910** 0.20 KG

Materials

- E7799** Fine Fireclay
- B9915** Chrome Plated Brass
- S8910** Plastic

Finishes

- E7799**  White (01)
- B9915**  Chrome (AA)
- S8910**  Neutral / No Finish (67)

Flow rates

- B9915** 5 Litres per minute @ 3 bar pressure

Designer

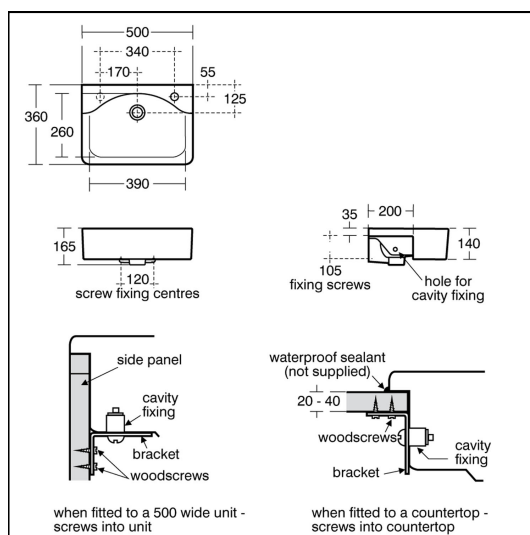
Robin Levien, RDI

Standards

Washbasin to BS EN 14688 & BS EN 31

Special Notes

Washbasin fixed to countertop with securing clips provided. Joint sealed with waterproof sealant (not supplied). Basin designed to work with short projection furniture to a minimum of 210mm projection allowing 10mm gap at rear to tile down onto worktop.



FEATURES

