

Concept Cube 50cm Short Proj S/C Washbasin, 2 Taphole

ILLUSTRATED

- E7797** Concept Cube 50cm short projection semi countertop washbasin, glazed back edge, 2 tapholes with overflow
- B9925** Concept washbasin pillar taps
- E6760** Waste 1¼" brass waste with chain and plug, 80mm slotted tail, bolt stay
- S8920** Trap 1¼" plastic resealing bottle, 75mm seal, multi-purpose outlet

OPTIONS

- B7884** Ceraplan basin pillar taps with lever handles
- B5105** Cone basin pillar taps with lever handles

ILLUSTRATED PRODUCT DETAILS





Weights

- E7797** 12.73 KG
- B9925** 1.63 KG
- E6760** 0.28 KG
- S8920** 2.00 KG

Materials

- E7797** Fine Fireclay
- B9925** Chrome Plated Brass
- E6760** Chrome Plated Metal
- S8920** Plastic

Finishes

- E7797**  White (01)
- B9925**  Chrome (AA)
- E6760**  Chrome (AA)
- S8920**  Neutral / No Finish (67)

Flow rates

- B9925** 5 Litres per minute @ 3 bar pressure

Designer

Robin Levien, RDI

FINISH OPTIONS



(AZ) Light Gold Finish

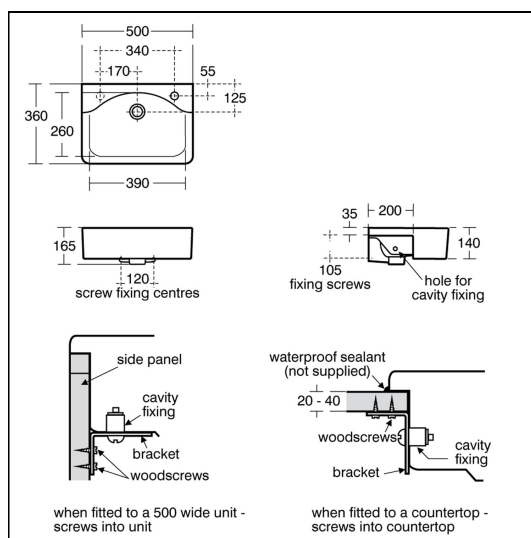
(AA) Chrome

Standards

Washbasin to BS EN 14688 & BS EN 31

Special Notes

Washbasin fixed to countertop with securing clips provided. Joint sealed with waterproof sealant (not supplied). Basin designed to leave a 10mm gap at rear to tile down onto worktop. We only recommend the use of our 210mm units with this basin.



FEATURES

