

# Concept Freedom Wall Hung Raised Height WC Pan

## ILLUSTRATED

- E6090** Concept Freedom wall hung raised height WC pan
- S3643** Conceala 2 cistern 4.5/3 or 4/2.6 litre dual flush valve side supply and internal overflow, alternative height plastic flushbends, no flushplate
- E7917** Concept, seat and cover, slow close
- E0060** Support frame with bolts for wall hung WC pans

## OPTIONS

- S3624** Conceala 2 cistern 6/4 litre dual flush valve top inlet and internal overflow, alternative height plastic flushbends
- E7918** Concept, seat and cover
- K7060** Concept seat no cover
- E7726** Concept, slim seat and cover, slow close
- E7725** Concept, slim seat and cover
- E4465** Karisma flush plate dual flush, branded for Conceala 2 cisterns, chrome
- E4437** Contemporary flush plate dual flush, Ideal Standard logo for Conceala 2 cisterns

## ILLUSTRATED PRODUCT DETAILS

### Weights

- E6090** 34.30 KG
- S3643** 2.70 KG
- E7917** 2.30 KG
- E0060** 4.28 KG

### Materials

- E6090** Vitreous China
- S3643** Plastic
- E7917** Plastic
- E0060** Metal

### Finishes

- E6090**  White (01)
- S3643**  Neutral / No Finish (67)
- E7917**  White (01)
- E0060**  Neutral / No Finish (67)

### Capacity

- S3643** 4 litres

### Designer

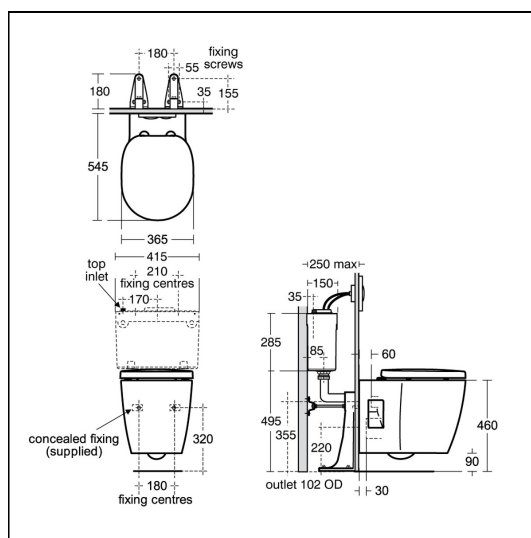
Robin Levien, RDI

### Standards

Vitreous china to BS 3402, BS EN 997 and BS EN 33

### Special Notes

E0060 support brackets secured to floor within the duct, WC fixed to support bracket with bolts supplied and bolts screwed to back wall with brackets. Joint sealed with waterproof sealant (not supplied).



## FEATURES

