

# Concept Freedom Back-to-wall Raised Height WC Pan

## ILLUSTRATED

- E6088** Concept Freedom back-to-wall raised height WC pan
- S3624** Conceala 2 cistern 6/4 litre dual flush valve top inlet and internal overflow, alternative height plastic flushbends
- E7917** Concept, seat and cover, slow close

## OPTIONS

- E7918** Concept, seat and cover
- K7060** Concept seat no cover
- E7726** Concept, slim seat and cover, slow close
- E7725** Concept, slim seat and cover

## ILLUSTRATED PRODUCT DETAILS

### Weights

- E6088** 32.70 KG
- S3624** 3.00 KG
- E7917** 2.30 KG

### Materials

- E6088** Vitreous China
- S3624** Plastic
- E7917** Plastic

### Finishes

- E6088**  White (01)
- S3624**  Neutral / No Finish (67)
- E7917**  White (01)

### Capacity

- S3624** 6 litres

### Designer

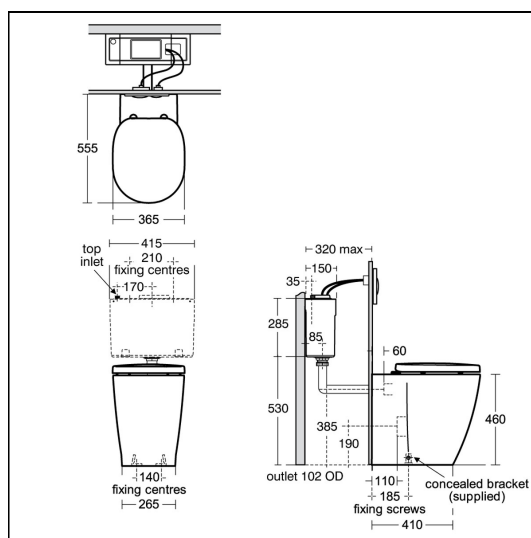
Robin Levien, RDI

### Standards

Vitreous china to BS 3402, BS EN 997 and BS EN 33

### Special Notes

WC screwed to floor using concealed brackets (supplied). Joint to wall sealed with waterproof sealant (not supplied). The WC bowl should not be installed with a lever activated cistern fitted with syphon.



## FEATURES

