

Studio Echo Short Projection Close Coupled Back to Wall WC Suite

ILLUSTRATED

- E1589** Studio Echo short projection close coupled back to wall wc pan with horizontal outlet
- E1506** Studio Echo close coupled cistern 4/2.6 litre dual flush valve bottom supply and internal overflow
- T3183** Studio Echo toilet seat and cover for short projection pan, slow close

OPTIONS

- E1505** Studio Echo close coupled cistern 6/4 litre dual flush valve bottom supply and internal overflow
- T3186** Studio Echo toilet seat and cover for short projection pan

ILLUSTRATED PRODUCT DETAILS

Weights

- E1589** 30.70 KG
- E1506** 10.56 KG
- T3183** 2.40 KG

Materials

- E1589** Vitreous China
- E1506** Vitreous China
- T3183** Plastic

Finishes

- E1589** White (01)
- E1506** White (01)
- T3183** White (01)

Capacity

- E1506** 4 litres

Designer

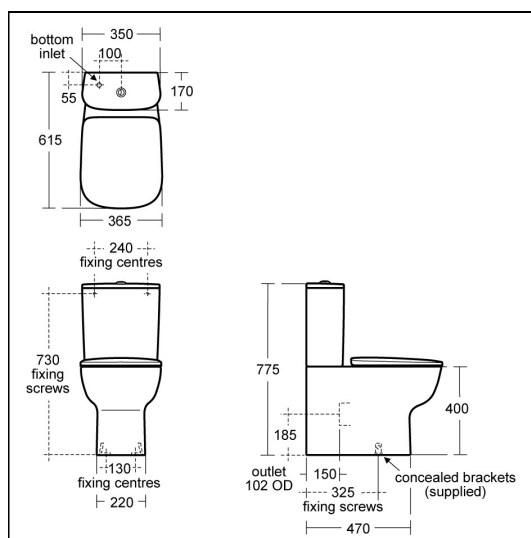
Robin Levien, RDI

Standards

Vitreous china to BS3402. WC pan to BS EN 997 and BS EN 34

Special Notes

WC screwed to floor and cistern screwed to wall. Joint to wall sealed with waterproof sealant (not supplied)



ACCREDITATIONS



Flush Valve
1711710



Inlet Valve
NSF171723

FEATURES

