

Studio Echo Close Coupled WC Suite

ILLUSTRATED

- E1587** Studio Echo close coupled wc pan with horizontal outlet
- E1506** Studio Echo close coupled cistern 4/2.6 litre dual flush valve bottom supply and internal overflow
- T3181** Studio Echo toilet seat and cover, slow close

OPTIONS

- E1505** Studio Echo close coupled cistern 6/4 litre dual flush valve bottom supply and internal overflow
- T3182** Studio Echo toilet seat and cover

ILLUSTRATED PRODUCT DETAILS

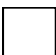
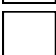

Weights

- E1587** 26.26 KG
- E1506** 10.56 KG
- T3181** 2.60 KG

Materials

- E1587** Vitreous China
- E1506** Vitreous China
- T3181** Plastic

Finishes

- E1587**  White (01)
- E1506**  White (01)
- T3181**  White (01)

Capacity

- E1506** 4 litres

Designer

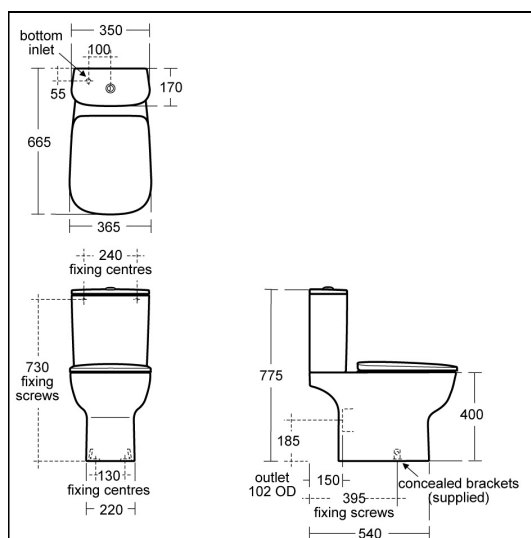
Robin Levien, RDI

Standards

Vitreous china to BS3402. WC pan to BS EN 997 and BS EN 33

Special Notes

WC screwed to floor and cistern screwed to wall



ACCREDITATIONS



Flush Valve
1711710



Inlet Valve
NSF171723

FEATURES

