

Concept Space Compact Back To Wall WC Pan

ILLUSTRATED

- E1208** Concept Space compact back to wall WC pan
- S3643** Conceala 2 cistern 4.5/3 or 4/2.6 litre dual flush valve side supply and internal overflow, alternative height plastic flushbends, no flushplate
- E1292** Space seat and cover
- E4437** Contemporary flush plate dual flush, Ideal Standard logo for Conceala 2 cisterns

OPTIONS

- S3624** Conceala 2 cistern 6/4 litre dual flush valve top inlet and internal overflow, alternative height plastic flushbends
- S3617** Conceala 2 cistern 4.5 or 6 litre single flush syphon side supply and internal overflow plastic flushbend, long CP lever
- E1293** Space seat and cover, slow close
- E3222** Panekta outlet Connector, finned pattern to convert horizontal outlet WCs to P trap
- S4300** Panekta outlet Connector, finned pattern to convert horizontal outlet WCs to S or turned P trap

ILLUSTRATED PRODUCT DETAILS

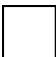



Weights

- E1208** 20.40 KG
- S3643** 2.70 KG
- E1292** 2.67 KG
- E4437** 0.46 KG

Materials

- E1208** Vitreous China
- S3643** Plastic
- E1292** Plastic
- E4437** Chrome Plated Plastic

Finishes

- E1208**  White (01)
- S3643**  Neutral / No Finish (67)
- E1292**  White (01)
- E4437**  Chrome (AA)

Capacity

- S3643** 4 litres

Designer

Robin Levien, RDI

FINISH OPTIONS



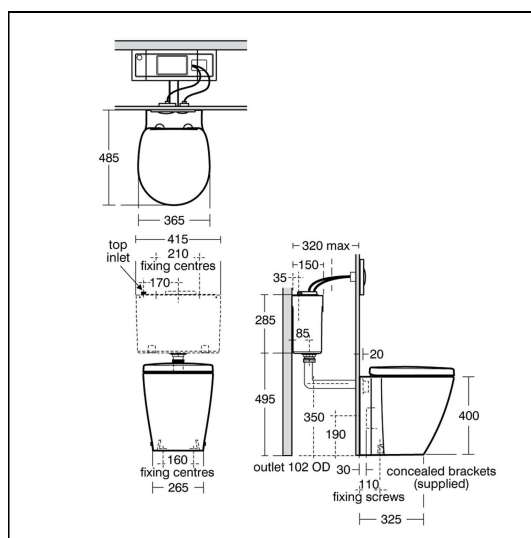
(BX) Brushed Nickel

Standards

Vitreous china to BS 3402, BS EN 997 & BS EN 33

Special Notes

WC pan screwed to floor using concealed brackets (supplied). Joint to wall sealed with waterproof sealant (not supplied). Can be used with Concept furniture WC units.



ACCREDITATIONS

S3643(67)



S3624(67)



S3617(67)



FEATURES

E: info@idealspec.co.uk | T: 0870 122 8822 | F: 0870 122 8282 | www.idealspec.co.uk

Ideal Standard (UK) Ltd. makes every effort to ensure that the information provided on its website is accurate. However, we cannot guarantee this, and accept no liability for any information or advice given via its website.

