

Concept Space Compact Close Coupled/Back To Wall WC Pan - Arc

ILLUSTRATED

- E1206** Concept Space compact close coupled/back to wall WC pan
- E7855** Concept Arc close coupled delay fill, valve cistern 4/2.6 litre dual flush push button bottom supply and internal overflow
- E1292** Space seat and cover

OPTIONS

- E7860** Concept Arc close coupled cistern 6/4 litre dual flush push button valve bottom supply and internal overflow
- E1293** Space seat and cover, slow close

ILLUSTRATED PRODUCT DETAILS

Weights

- E1206** 26.40 KG
- E7855** 11.36 KG
- E1292** 2.67 KG

Materials

- E1206** Vitreous China
- E7855** Vitreous China
- E1292** Plastic

Finishes

- E1206** White (01)
- E7855** White (01)
- E1292** White (01)

Capacity

- E7855** 4 litres

Designer

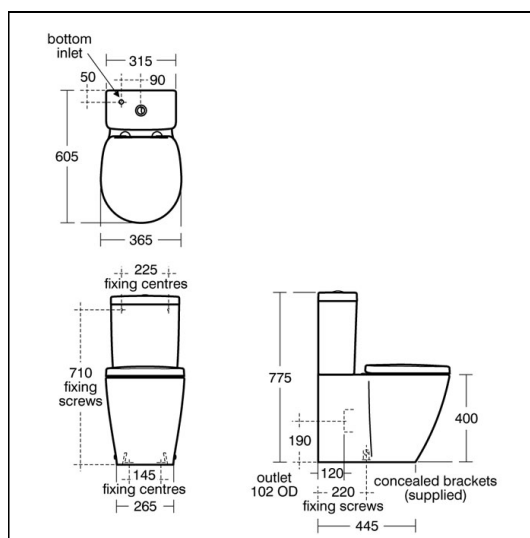
Robin Levien, RDI

Standards

Vitreous china to BS 3402, BS EN 997 & BS EN 33

Special Notes

WC screwed to floor and cistern screwed to wall. Joint to wall and WC pan sealed with waterproof sealant (not supplied)



ACCREDITATIONS

E7860(01)

water label		4.5	Average Flushing Volume (Litres)

E7855(01)

water label		3.0	Average Flushing Volume (Litres)



Flush Valve
1307005



Inlet Valve
NSF171723

FEATURES

