

Concept Air Cube 40cm Handrinse Basin

ILLUSTRATED

- E0769** Concept Air Cube 40cm handrinse basin, 1 taphole with overflow
- E0782** Concept Air small semi pedestal
- E0157** Wall fixing set
- A6588** Tesi single lever mini basin mixer smooth body and 5lpm eco flow regulator
- S8803** Waste 1¼" Click plug waste, 80mm slotted tail
- S8910** Trap 1¼" plastic bottle, 75mm seal, multi-purpose outlet

OPTIONS

- E0784** Concept Air small pedestal
- B0671** Concept Blue small washbasin mixer 1 hole with pop-up waste
- E0079** Trap 1¼" Contemporary metal bottle, 75mm seal

ILLUSTRATED PRODUCT DETAILS

Sizes

E0769 w:400 x d:350

Weights

E0769 7.70 KG

E0782 5.75 KG

E0157 0.16 KG

A6588 1.30 KG

S8803 1.00 KG

S8910 0.20 KG

Materials

E0769 Fine Fireclay

E0782 Fine Fireclay

E0157 Metal

A6588 Chrome Plated Metal


S8803 Chrome Plated Metal

S8910 Plastic

Finishes


E0769  White (01)

E0782  White (01)

E0157  Neutral / No Finish (67)

A6588  Chrome (AA)

S8803  Chrome (AA)

S8910  Neutral / No Finish (67)

Capacity

E0769 2 litres

Flow rates

A6588 5 Litres per minute @ 3 bar pressure

Designer

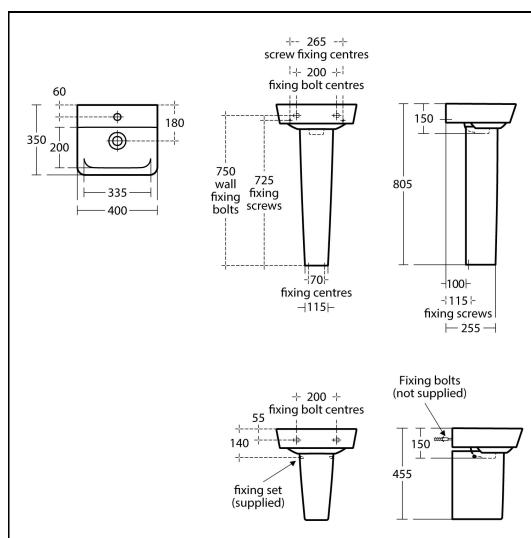
Robin Levien, RDI

Standards

Washbasin to BS EN 14688 and BS EN 31

Special Notes

Washbasin wall mounted using E0157 wall fixing set, with semi pedestal fixed to wall with brackets supplied or full pedestal mounted using 2 screws through the back of wall (not supplied).



FEATURES

