

Concept 170cm x 70cm Idealform Spacemaker Shower Bath RH No Taphole

ILLUSTRATED

- E0498** Concept 170cm x 70cm Idealform Spacemaker shower bath, right hand no tapholes
- B9929** Concept bath filler 2 hole dual control
- E0501** Concept 170cm Spacemaker shower bath front panel
- S8970** Trap 1½" plastic P with 75mm seal, multi-purpose outlet suitable for plastic and BS copper pipe
- E5795** Waste 1½" bath pop-up waste and overflow components only
- E5800** Bath pop-up waste operating handle and cover only

OPTIONS

- B9928** Concept bath pillar taps
- B9930** Concept bath shower 2 hole mixer with shower set
- B9990** Concept bath shower 1 hole mixer with shower set
- B9991** Concept bath shower single lever mixer, 2 hole mixer wall mounted
- E3169** Unilux 70cm end panel
- A5901** TMV Thermostatic mixing valve 22mm

ILLUSTRATED PRODUCT DETAILS

Weights

- E0498** 24.15 KG
- B9929** 2.64 KG
- E0501** 3.50 KG
- S8970** 1.00 KG
- E5795** 1.34 KG
- E5800** 0.82 KG

Materials

- E0498** Idealform
- B9929** Chrome Plated Brass
- E0501** Acrylic
- S8970** Plastic
- E5795** Chrome Plated Metal
- E5800** Chrome Plated Metal

Finishes

- E0498** White (01)
- B9929** Chrome (AA)
- E0501** White (01)
- S8970** Neutral / No Finish (67)
- E5795** Neutral / No Finish (67)
- E5800** Chrome (AA)

Capacity

- E0498** 164 litres (to overflow)

Flow rates

- B9929** 80 Litres per minute @ 3 bar pressure

Designer

Robin Levien, RDI

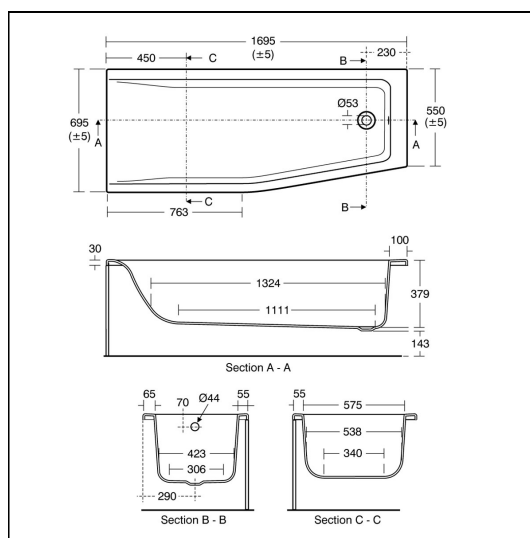
Standards

Constructed to EN 198:2008

Special Notes

Suitable for use with Connect showerscreens.

Consideration should be given to safe hot water delivery and the use of an appropriate temperature reduction device see part G for guidance.



Concept 170cm x 70cm Idealform Spacemaker Shower Bath RH No Taphole

E: info@idealspec.co.uk | T: 0870 122 8822 | F: 0870 122 8282 | www.idealspec.co.uk

Ideal Standard (UK) Ltd. makes every effort to ensure that the information provided on its website is accurate. However, we cannot guarantee this, and accept no liability for any information or advice given via its website.

