

SPECIFICATION SHEET

COLLECTION:

PRODUCT CODE: CUC-1061-C/P



DESCRIPTION:

vibe professional mono sink mixer
deck mounted
with swivel spout
with pull-out spout
ceramic cartridge CUC-VALVE/CL-1/2 &
CUC-VALVE/HT-1/2
deck mount drill hole diameter 35mm
minimum operating pressure 1.0 bar MP

FINISH:

Chrome

FLOW REGULATOR:

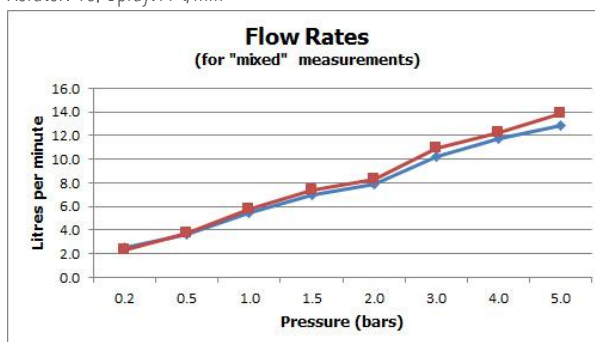
FR-100/5-PLA

MINIMUM OPERATING PRESSURE:

1.0 bar MP

FLOW RATE AT 3.0 BAR FLOW PRESSURE:

Aerator: 10, Spray: 11 l/min



tel: 01934 744466
email: sales@vado.com
www.vado.com

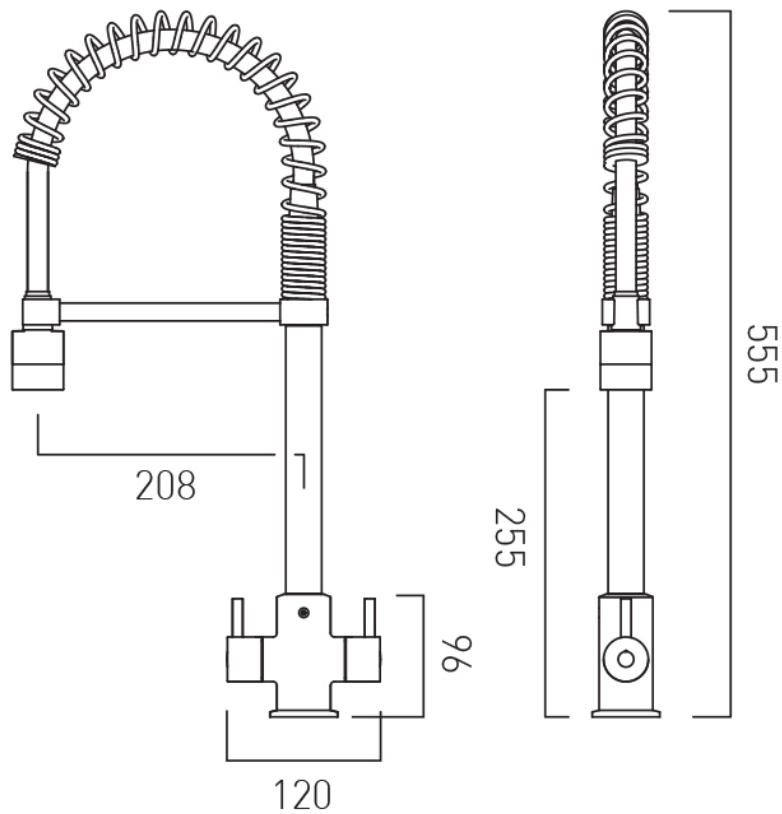
where inspiration flows
taps | showering | accessories



TECHNICAL DRAWING

COLLECTION:

PRODUCT CODE: CUC-1061-C/P



tel: 01934 744466
email: sales@vado.com
www.vado.com

where inspiration flows
taps | showering | accessories

