

# SPECIFICATION SHEET

## COLLECTION:

PRODUCT CODE: CUC-1050-C/P



## DESCRIPTION:

base  
mono sink mixer  
deck mounted  
with swivel spout  
2 x 1/2" nut x 300mm flexipipe connections  
minimum operating pressure 0.2 bar LP

## FINISH:

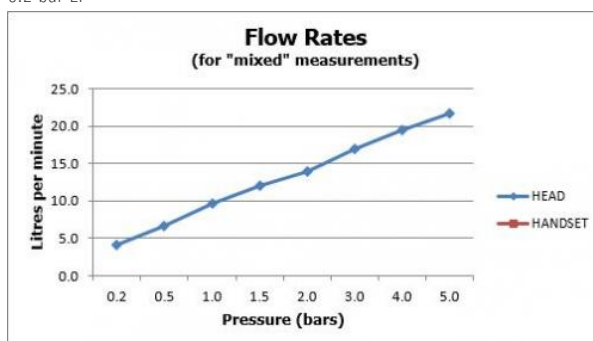
Chrome

## FLOW REGULATOR:

FR-100/5-PLA

## MINIMUM OPERATING PRESSURE:

0.2 bar LP



tel: 01934 744466  
email: sales@vado.com  
www.vado.com

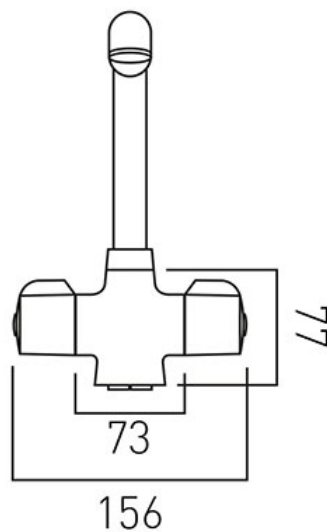
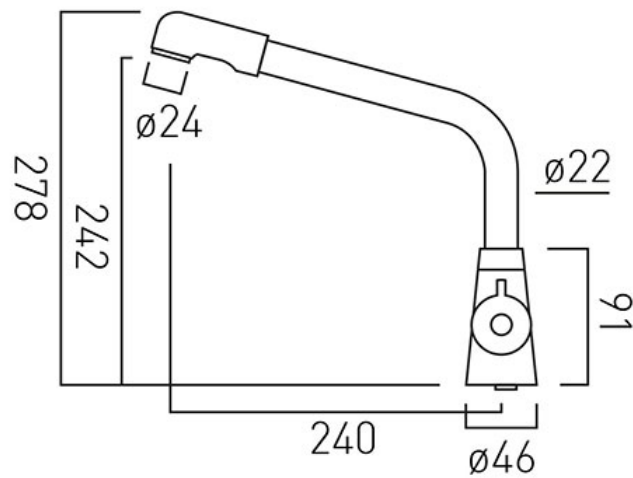
where inspiration flows  
taps | showering | accessories



# TECHNICAL DRAWING

COLLECTION:

PRODUCT CODE: CUC-1050-C/P



tel: 01934 744466  
email: sales@vado.com  
www.vado.com

**where inspiration flows**  
taps | showering | accessories

