

SPECIFICATION SHEET

COLLECTION:

PRODUCT CODE: CUC-1009-S/S



DESCRIPTION:

urban
mono sink mixer
single lever
deck mounted
with swivel spout
minimum operating pressure 1.0 bar MP

FINISH:

Stainless Steel

FLOW REGULATOR:

FR-100/5-PLA

MINIMUM OPERATING PRESSURE:

1.0 bar MP



tel: 01934 744466
email: sales@vado.com
www.vado.com

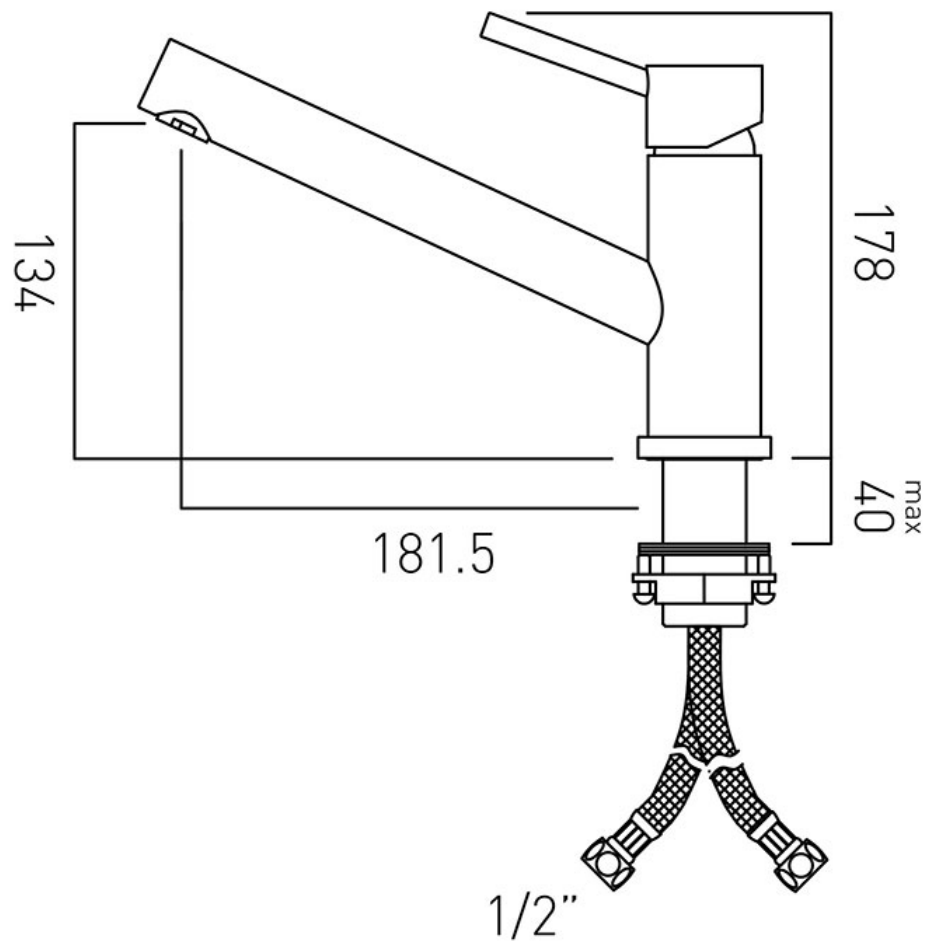
where inspiration flows
taps | showering | accessories



TECHNICAL DRAWING

COLLECTION:

PRODUCT CODE: CUC-1009-S/S



tel: 01934 744466
email: sales@vado.com
www.vado.com

where inspiration flows
taps | showering | accessories

