

SPECIFICATION SHEET

COLLECTION: CELSIUS

PRODUCT CODE: CEL-1701-1/2-11-C/P



DESCRIPTION:

celsius wall mounted exposed thermostatic shower valve
1/2" with evolve 4 function slide rail shower kit and wall
mounting brackets
thermostatic cartridge V-001C-PLA
flow cartridge CEL-002B-1/2

kit comprises:

EVO-MFSRK-DB-C/P

CEL-149-1/2-C/P

WG-049BRACK+SHR-C/P

minimum operating pressure 0.2 bar LP

FINISH:

Chrome

FLOW REGULATOR:

FR-SHOWER/9-C/P

MINIMUM OPERATING PRESSURE:

0.2 bar LP



tel: 01934 744466
email: sales@vado.com
www.vado.com

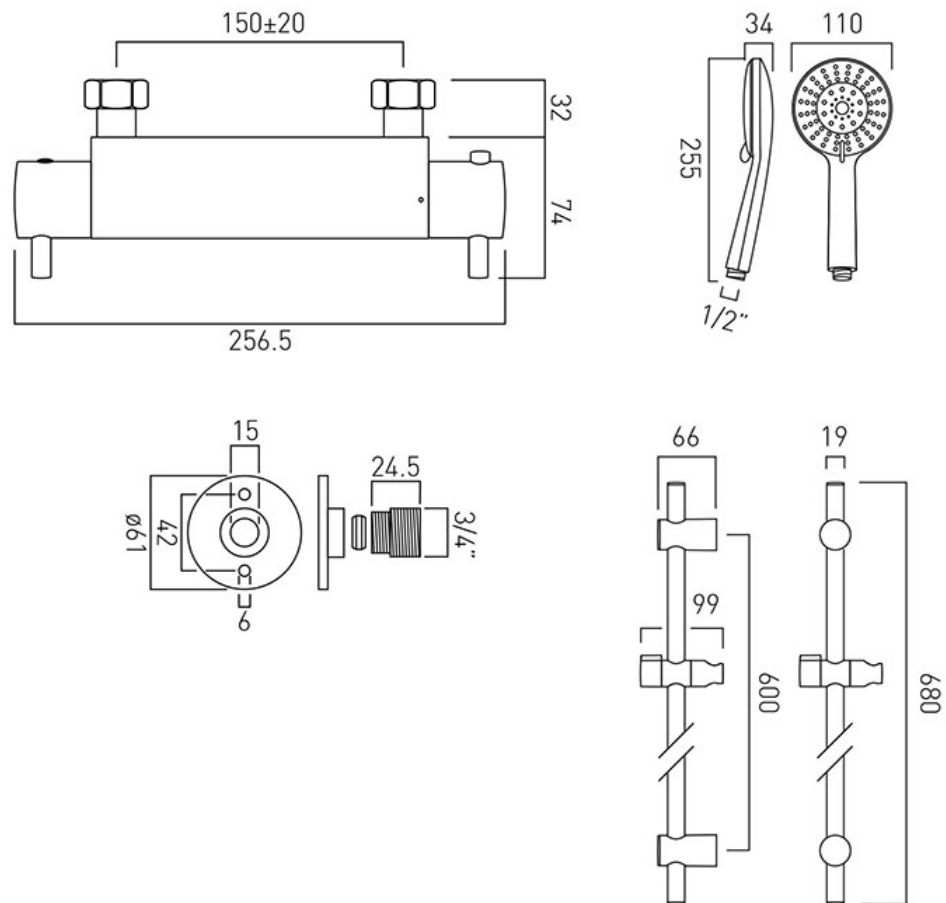
where inspiration flows
taps | showering | accessories



TECHNICAL DRAWING

COLLECTION: CELSIUS

PRODUCT CODE: CEL-1701-1/2-11-C/P



tel: 01934 744466
email: sales@vado.com
www.vado.com

where inspiration flows
taps | showering | accessories

