

SPECIFICATION SHEET

COLLECTION: CELSIUS

PRODUCT CODE: CEL-131T-C/P



DESCRIPTION:

2 hole thermostatic bath shower mixer
pillar mounted
without shower kit
with water flow aerator
thermostatic cartridge V-001C-PLA
3/4" x 50mm threaded connection on legs
deck mount drill hole diameter 28mm
minimum operating pressure 1.5 bar MP

FINISH:

Chrome

FLOW REGULATOR:

FR-SHOWER/9-C/P

MINIMUM OPERATING PRESSURE:

1.5 bar MP



tel: 01934 744466
email: sales@vado.com
www.vado.com

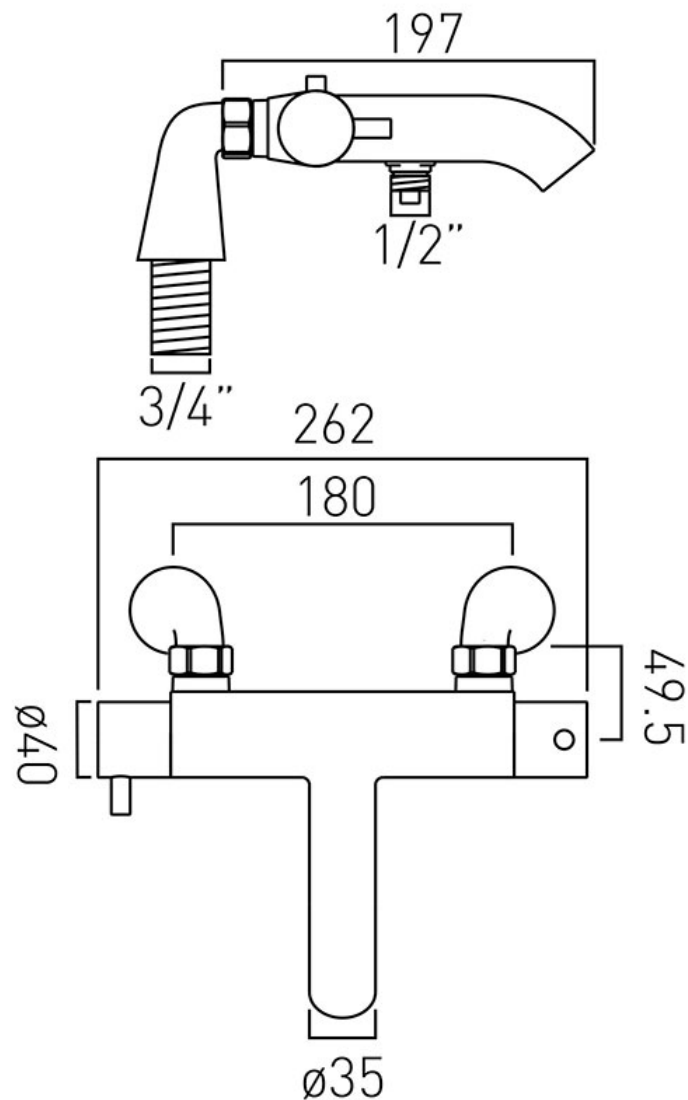
where inspiration flows
taps | showering | accessories



TECHNICAL DRAWING

COLLECTION: CELSIUS

PRODUCT CODE: CEL-131T-C/P



tel: 01934 744466
email: sales@vado.com
www.vado.com

where inspiration flows
taps | showering | accessories

