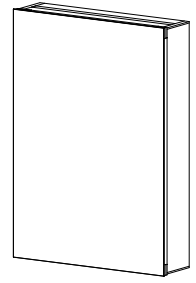


Single Door
Illuminated LED
Mirror Cabinet IP44
500 x 700 x 135mm



INSTALLATION
INSTRUCTIONS

Product code: MGFFT0002 / MGFFT0006 / MGFFT0010

This product contains a light source of energy efficiency class <F>

IMPORTANT: Please read these instructions before commencing installation and retain for future reference.

Bathroom Lighting Zones:

0

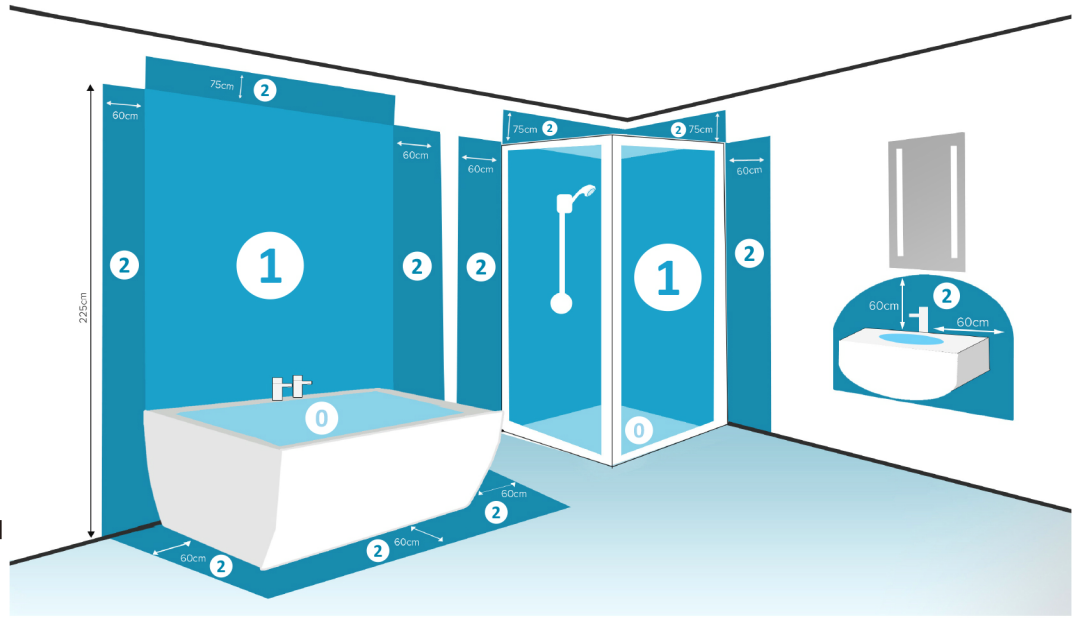
Inside the bath or shower.
Must be SELV (12V Max) due to water submersion.
Minimum rating of IP67.

1

225cm above the bath or shower.
Minimum rating of IP44.

2

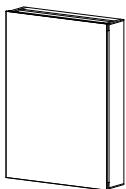
The area stretching to 60cm outside the bath or shower, and 60cm from the water outlet of the sink. An IP rating of at least IP44 is required.



This mirror cabinet is IP44 rated and suitable for installation in zone 2 and the outside zones.

Outside Zones - Anywhere outside zones 0, 1 and 2, where water jets are not used for cleaning purposes, the general rules of BS7671 apply.

Components



Illuminated LED Mirror Cabinet



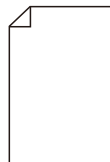
4 x Wall Plugs



4 x Screws



1 x Aluminium bar



1 x Instructions Manual

Tools Required

Magnetic Crosshead Screwdriver		Power Drill (with hammer action)	
Rubber Mallet		8MM Drill Bit (suitable for wall type)	Ø8mm
Spirit Level		Pencil	
Tape Measure			

Important Safety Information

Please read these instructions carefully before attempting to install this product. It is advisable to keep these instructions in a safe place for future reference.

We recommend that you consult a qualified electrician. All electrical installation must be carried out in accordance with the current IEE wiring regulations (BS7671) and the latest relevant building regulations.

This product must not be modified, if any modifications are made, it may invalidate the warranty and may render the product unsafe.

MGFFT0002 has a wattage of 24W / MGFFT0006 has a wattage

of 29W / MGFFT0010 has a wattage of 26W.

This product has a rating of IP44 and is for indoor use only.

Safety Instructions

1. If in doubt, installation must be carried out by a qualified electrician.
2. Before commencing installation or maintenance, isolate the main electrical supply for the appropriate circuit at the fuse board.
3. This product is only suitable for connecting to a 220-240V 50Hz supply.
4. The product should be mounted onto a secure surface.
5. When installing, please take care to avoid water pipes, joints and electrical cables.
6. This product has a rating of IP44.
7. Do not exceed or stretch cables.
8. Do not strike mirror glass with hard or pointed items.
9. The wall plugs included with this product are suitable for solid walls only. Plasterboard or stud walls may require specialized fixings which are not provided. (Always ensure that the wall plugs or fittings are correct for the wall type.)

Waste Electrical & Electronic Equipment (WEEE)

The symbol on the product, or on the document accompanying the product, the crossed out wheelee bin symbol, indicates that this product may not be treated as household waste.

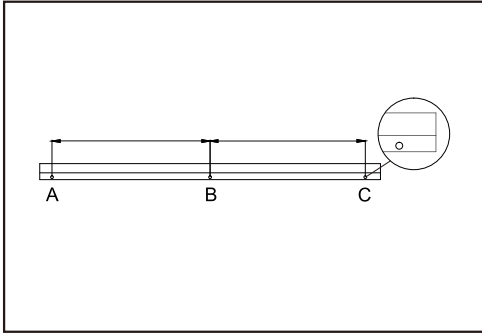
Instead it shall be handed over to the applicable collection point for the recycling of electrical and electronic waste.



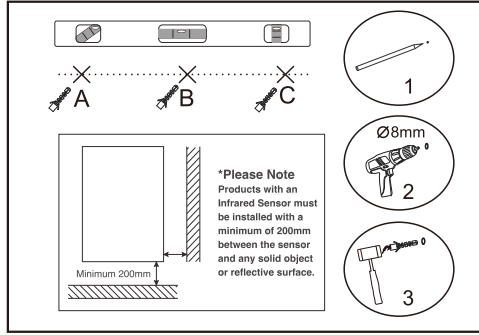
RoHS
Compliant ✓



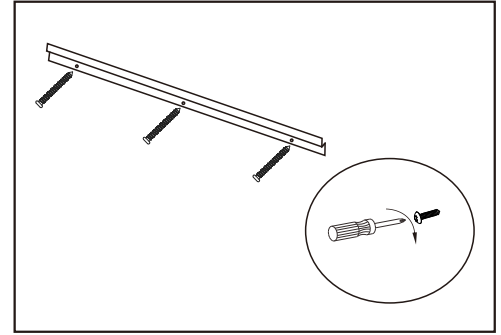
Installation



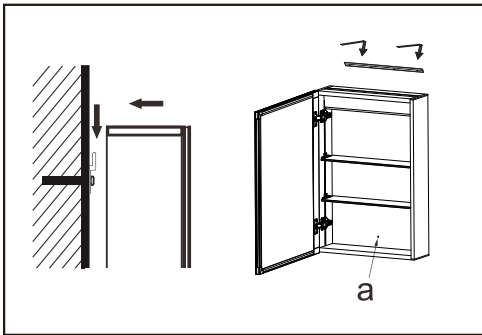
1. Measure the distance between holes A and B, B and C in the aluminium bar.



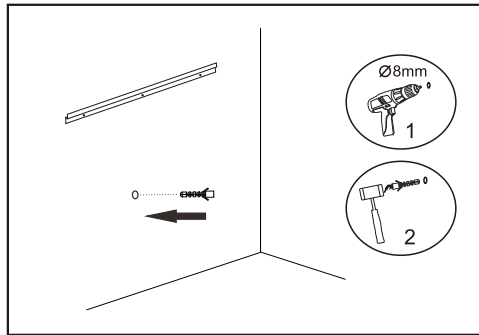
2. Choose desired height from basin (must be a minimum of 0.6m). And there should be a minimum of 200mm between the sensor and any solid object or reflective surface. Use a pencil to mark the positions for the 3 screws according to the measured sizes. Use a power drill and 8mm drill bit to drill holes. Use hammer to insert the wall plugs.



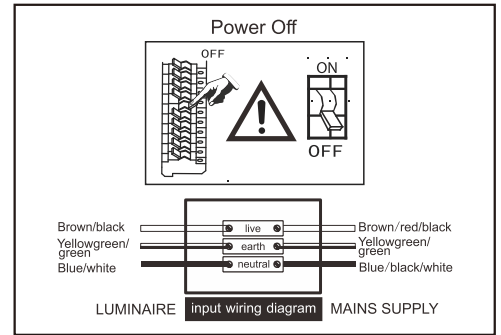
3. Tighten the screws with a screwdriver to fix the aluminium bar.



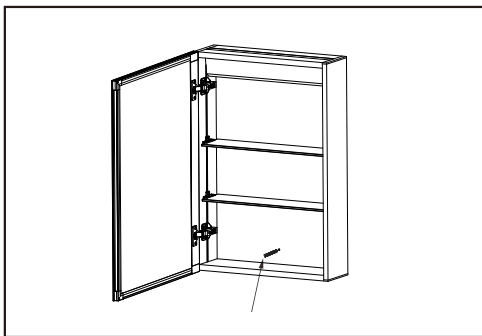
4. Hang the mirror cabinet onto the aluminium bar as shown above. Open the cabinet door, mark on the wall with a pencil through the hole 'a' in the back panel.



5. Remove the cabinet, use a power drill and 8mm drill bit to drill a hole in the wall in the marked position 'a'. Use hammer to insert the wall plug.

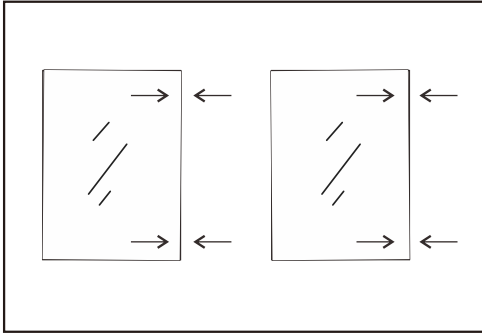


6. Ensuring first that the electrical supply has been turned off. This product is a class 1 product and requires an earth connection. It should be installed in accordance with the latest IEE regulations. Connect the wiring at the back of the cabinet to the mains supply.

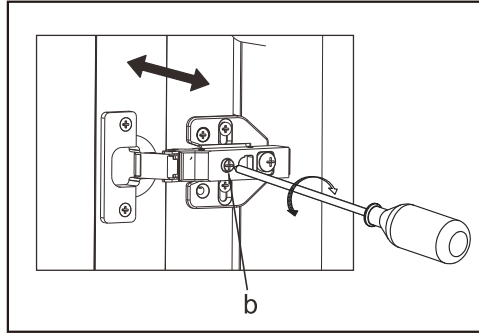


7. Hang the mirror cabinet onto the aluminium bar as step 4. Open the cabinet door, tighten the screw through the hole in the back panel to fix the cabinet

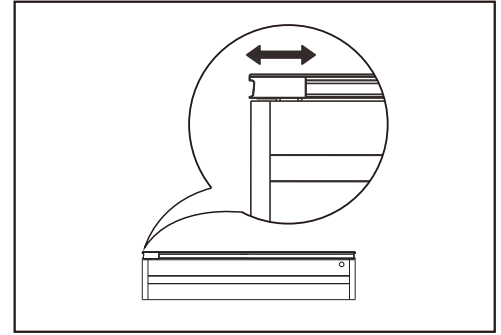
Mirror door adjustment



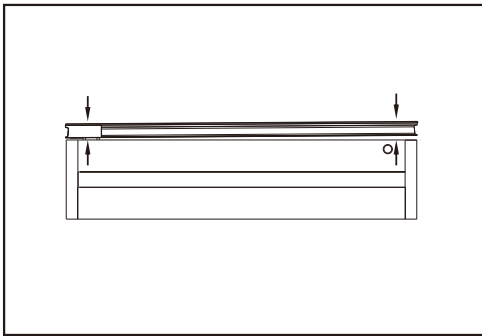
1. Check if the mirror doors are vertical and can close well. If not (as per image above), then adjust the hinge screw b as step 2 to make both doors vertical.



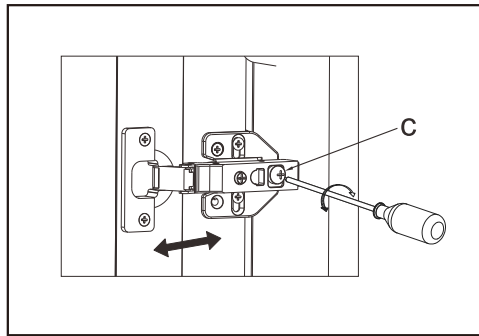
2. Adjust the hinge screw b clockwise or counter clockwise to adjust both doors vertical.



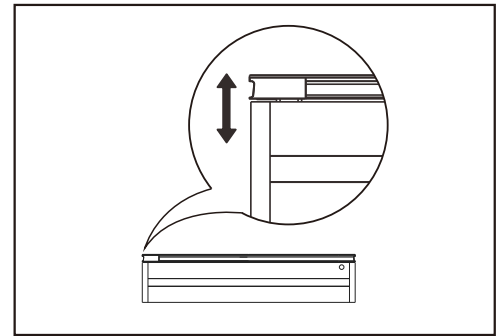
3. Adjust the screw b clockwise: door moves towards the center of the cabinet. Adjust the screw b counter clockwise: door moves towards the side of the cabinet.



4. Check if the mirror doors can align horizontally as per image above. If not, adjust the distance between the door and the cabinet by adjusting hinge screw c as step 5.

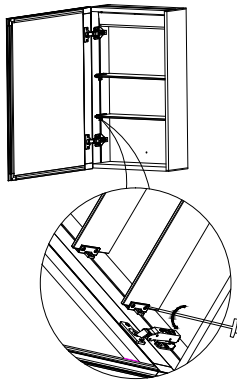


5. Adjust the hinge screw c clockwise or counter clockwise to adjust the distance between door and cabinet.

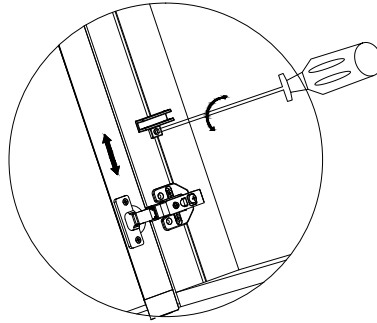


6. Adjust the screw c clockwise: distance between door and cabinet reduces. Adjust the screw c counter clockwise: distance between door and cabinet increases.

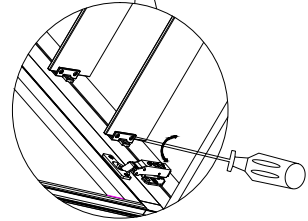
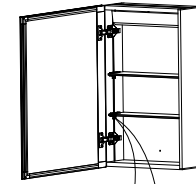
To Change The Shelf Height...



Step 1. Loosen the screws on the bottom of the shelf bracket to remove the shelf.



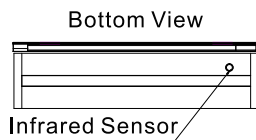
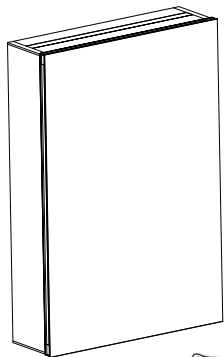
Step 2. Loosen the screw fixing the shelf bracket onto the cabinet and adjust it to your desired position.



Step 3. Replace the shelf to the shelf bracket and tighten the screws on the bottom to fix it.

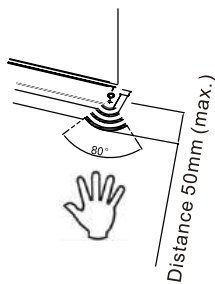
Operation

To Operate The Lights...



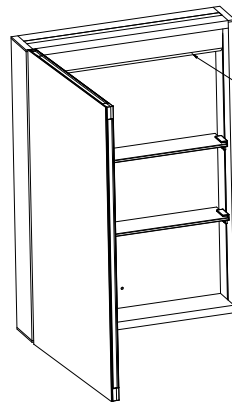
Infrared Sensor

To turn the light on/off, simply wave your hand under the infrared sensor located at the bottom of the cabinet. The demisting function is on when the mirror is illuminated.



Distance 50mm (max.)

Shaver Socket



Shaver Socket location

Maintenance & Care

- Ensure that the power is disconnected prior to cleaning.
- To keep the finish of this product, wipe over with soft cloth periodically.
- Do not use harsh chemical solvents, this may dis-colour or damage the finish.

Compliance

This product complies with the following safety standards:
BS EN 60598-1:2015 +A1: 2018, EN60598-2-1: 1989