

Code:MGFMS0030/MGFMS0032/
MGFMS0034

LED MIRROR INSTRUCTION

This product contains a light source of energy efficiency class <F>

IMPORTANT: Please read these instructions before commencing installation and retain for future reference.

Bathroom Lighting Zones:

0

Inside the bath or shower.
Must be SELV (12V Max) due to water submersion.
Minimum rating of IP67.

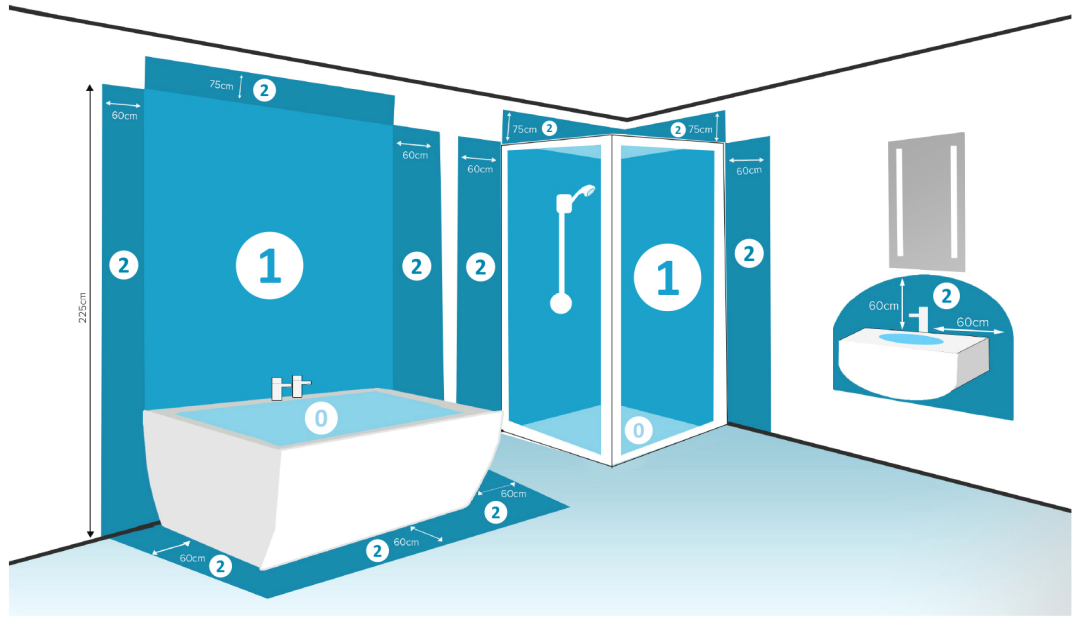
1

225cm above the bath or shower.
Minimum rating of IP44.

2

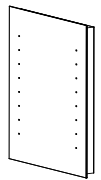
The area stretching to 60cm outside the bath or shower, and 60cm from the water outlet of the sink. An IP rating of at least IP44 is required.

This mirror is IP44 rated and suitable for installation in zone 2 and the outside zones.



Outside Zones - Anywhere outside zones 0, 1 and 2, where water jets are not used for cleaning purposes, the general rules of BS7671 apply.

Components



LED Mirror



2x Wall Plugs



2x Screws



1x Instruction Manual

Important Safety Information

Please read these instructions carefully before attempting to install this product. It is advisable to keep these instructions in a safe place for future reference.

We recommend that you consult a qualified electrician. All electrical installation must be carried out in accordance with the current IEE wiring regulations (BS7671) and the latest relevant building regulations.

This product must not be modified, if any modifications are made, it may invalidate the warranty and may render the product unsafe.

The wattage for MGFMS0030 is 2W / MGFMS0032 is 2W / MGFMS0034 is 2W

This product is for indoor use only.

Tools Required

Magnetic Crosshead Screwdriver		Power Drill (with hammer action)	
Rubber Mallet		6MM Drill Bit (suitable for wall type)	Ø6mm
Spirit Level		Pencil	
Tape Measure			

Safety Instructions

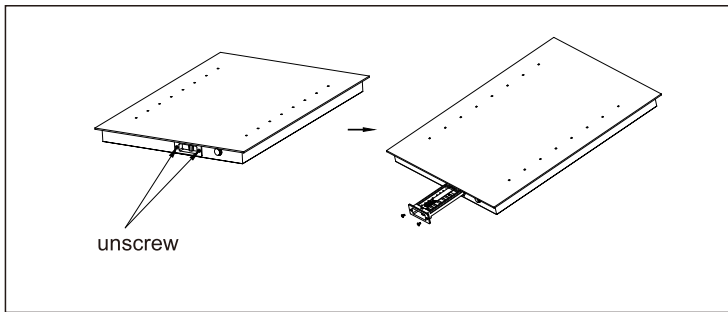
1. If in doubt, installation must be carried out by a qualified electrician.
2. The mirror should be mounted onto a secure surface.
3. When installing, please take care to avoid water pipes, joints and electrical cables.
4. This product has a rating of IP44.
5. Do not strike mirror glass with hard or pointed items.
6. The wall plugs included with this product are suitable for solid walls only. Plasterboard or stud walls may require specialized fixings which are not provided. (Always ensure that the wall plugs or fittings are correct for the wall type.)

Waste Electrical & Electronic Equipment (WEEE)

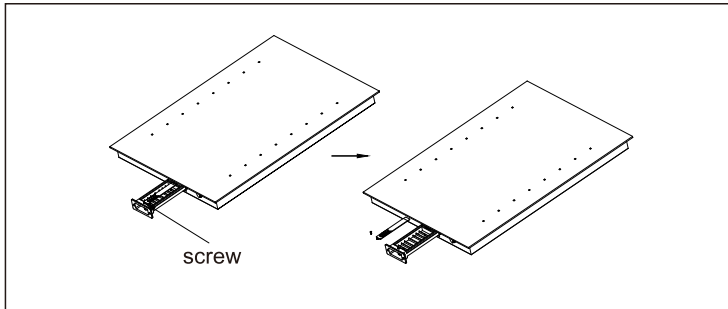
The symbol on the product, or on the document accompanying the product, the crossed out wheelie bin symbol, indicates that this product may not be treated as household waste.

Instead it shall be handed over to the applicable collection point for the recycling of electrical and electronic waste.

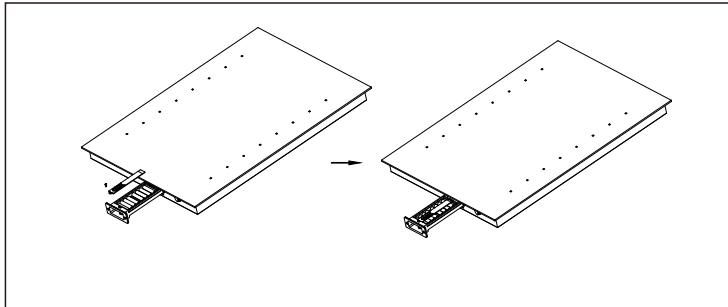
Installation



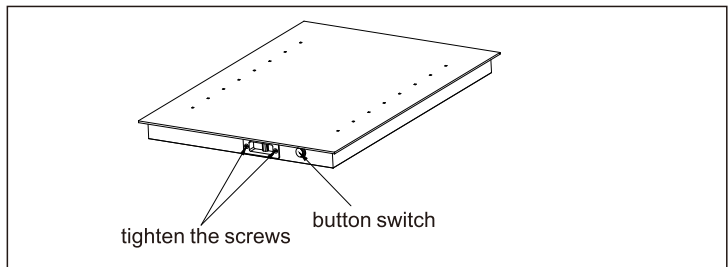
1. Unscrew the battery compartment from the bottom of the mirror and pull it out.



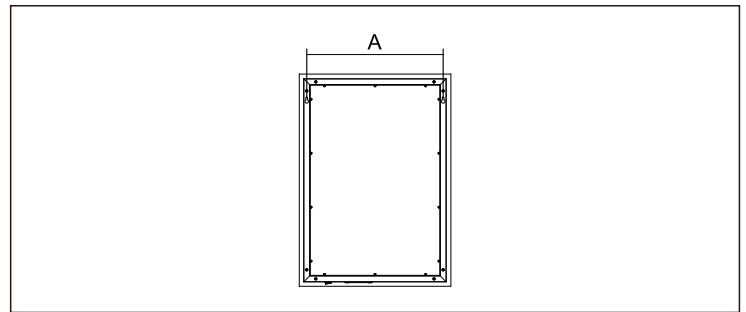
2. On top of the battery compartment is a cover held in place by a screw. Remove this screw.



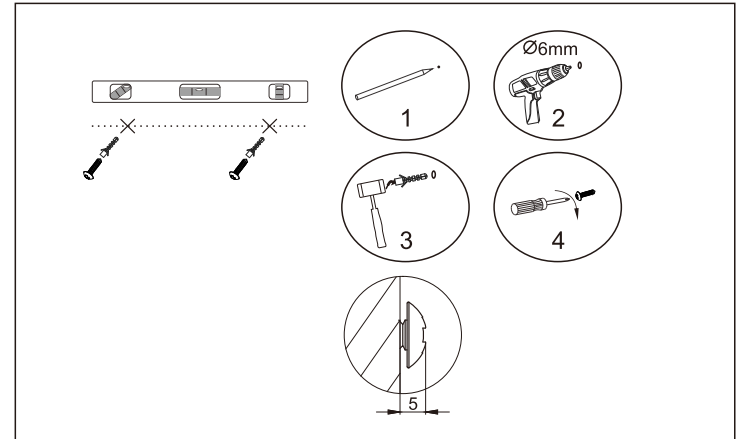
3. Add 8 x AA batteries (not included) into the battery compartment, then screw the cover back on.



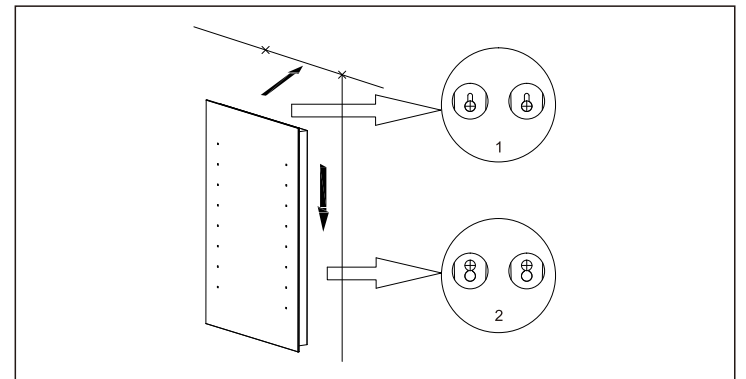
4. Put back the battery compartment into the bottom of the mirror, tighten the screws and press the button to test the operation of the lights.



5. Measure distance A between center of hanging holes.

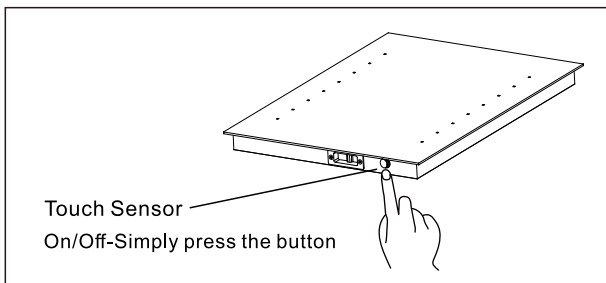


6. Choose desired height from basin (must be a minimum of 0.6m). Use a pencil to mark the positions for the 2 screws (keep distance A between them). Use a power drill and 6mm drill bit to drill holes. Use hammer to insert the wall plugs. Use screwdriver to tighten the screws.
Note: The distance between wall and the top of screw head should be 5mm.



7. Hang the mirror onto the wall. Shake left and right to see if it is stable.

Operation



Maintenance & Care

- Ensure that the power is disconnected prior to cleaning.
- To keep the finish of this product, wipe over with soft cloth periodically.
- Do not use harsh chemical solvents, this may dis-colour or damage the finish.
- Do not allow moisture to come into contact with electrical components.

Compliance

This product complies with the following safety standards:
BS EN 60598-1:2015 +A1: 2018, EN60598-2-1: 1989