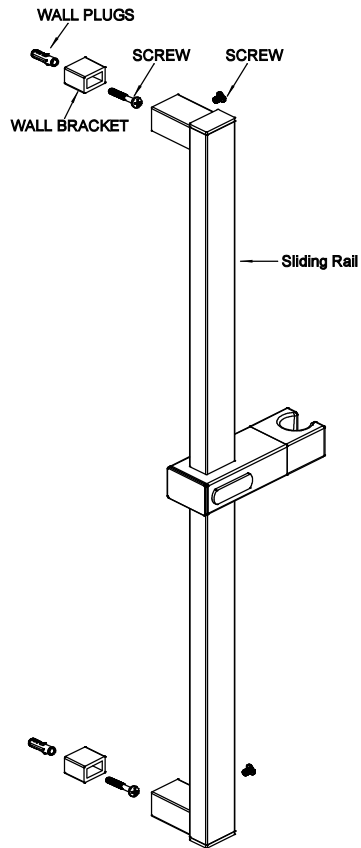
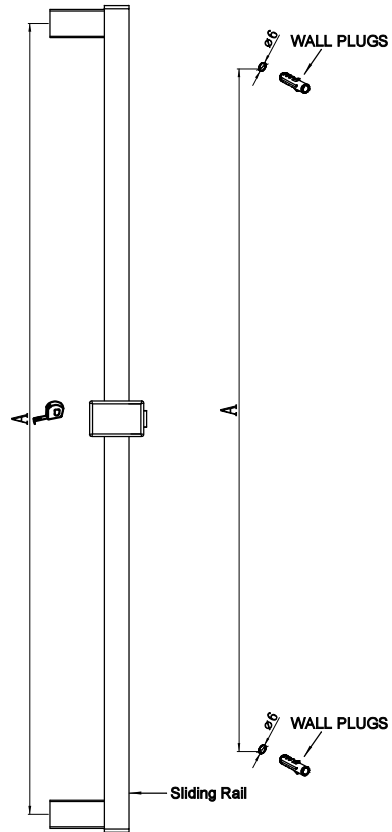


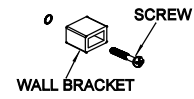
SQUARE SHOWER KIT INSTALLATION INSTRUCTIONS



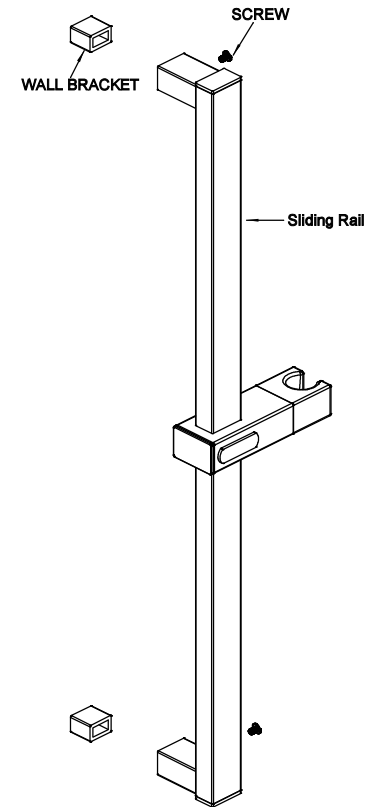
Step 1: Disassemble all the parts according to the figure above.



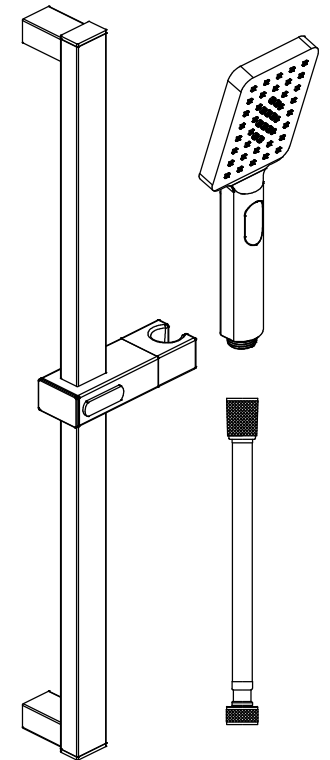
Step 2: Measure the center distance of the sliding rail with a tape measure, Drill two holes of $\varnothing 6\text{mm}$ with depth of 40mm. Tap in wall plugs.



Step 3: Fix wall brackets against wall with screws.



Step 4: Fix the sliding rail to the wall brackets with screws.



Step 5: Connect shower hose and handshower.