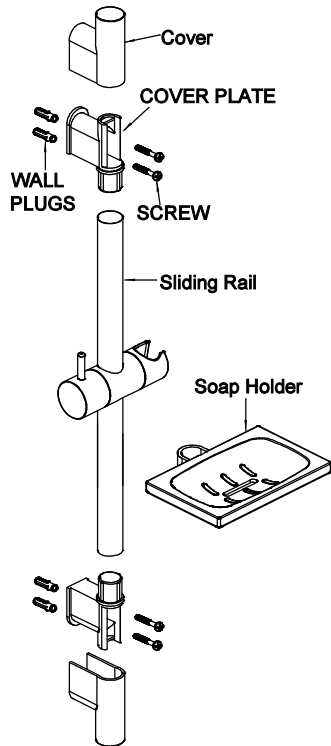
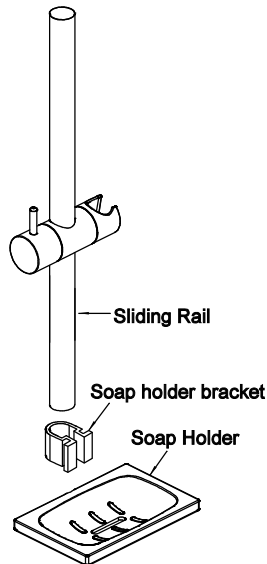


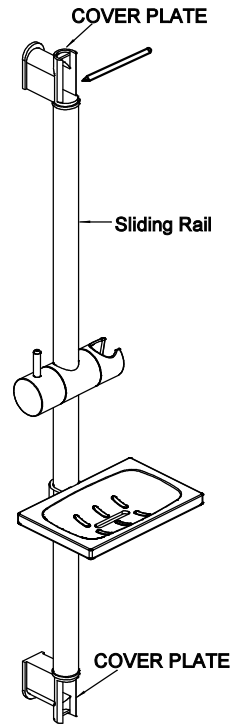
ROUND SHOWER KIT INSTALLATION INSTRUCTIONS



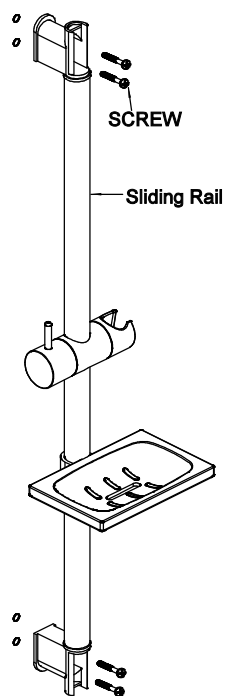
Step 1: Disassemble all the parts according to the figure above.



Step 2: Assemble the soap holder bracket firstly and then soap holder to the sliding rail.

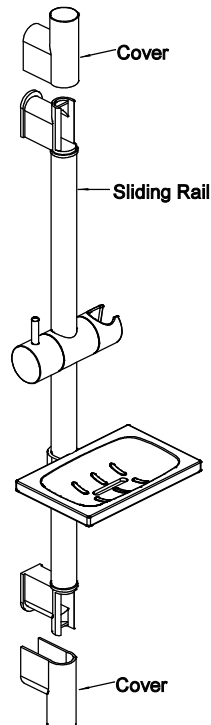


Step 3: Assemble both top and bottom wall brackets to sliding rail. Make markings by placing the rail to the proper position on the wall.

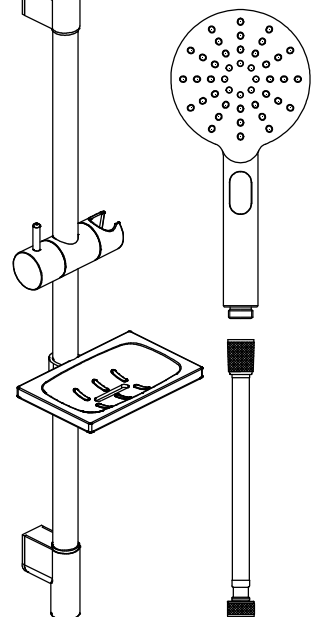


Step 4: Drill two holes of $\varnothing 6\text{mm}$ with depth of 40mm. Tap in wall plugs.

Step 5: Fix sliding rail against wall with screws.



Step 6: Put the covers onto the rail.



Step 7: Connect shower hose and handshower.