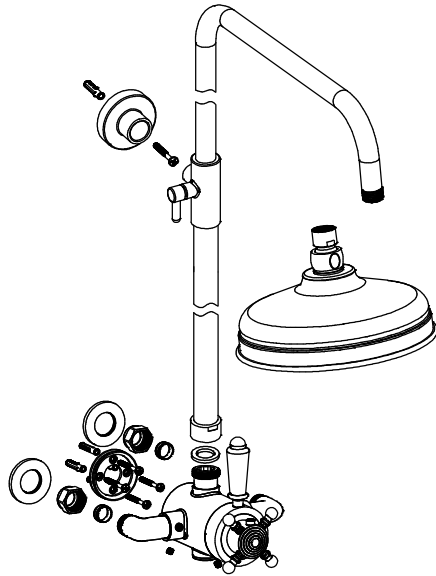
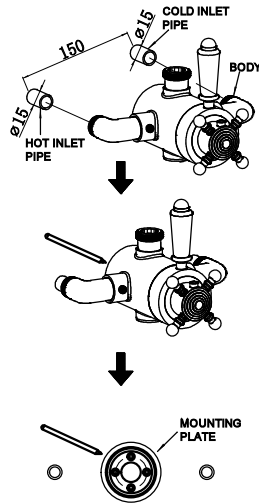


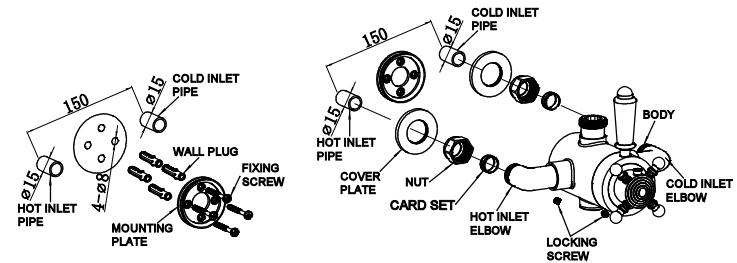
## ROUND SHOWER KIT INSTALLATION INSTRUCTIONS



**Step 1:** Make sure all the components above are complete. Assemble shower holder to sliding rail.

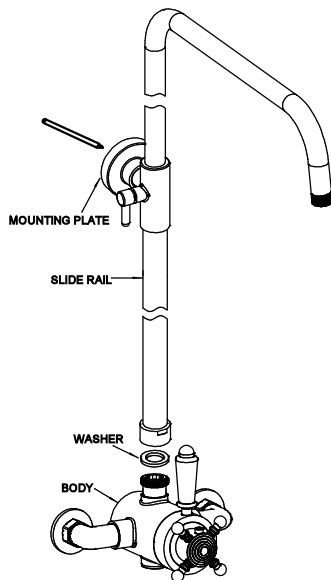


**Step 2:** Place the body on the wall and make markings. Then remove the body, place the mounting plate in the center of the marking, mark 4 locating holes.

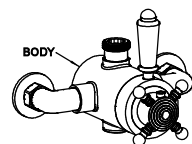
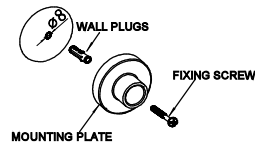


**Step 3:** Drill four holes of  $\varnothing 8\text{mm}$  with depth of 45mm, tap in wall plugs. Then fix the mounting plate onto the wall with screws.

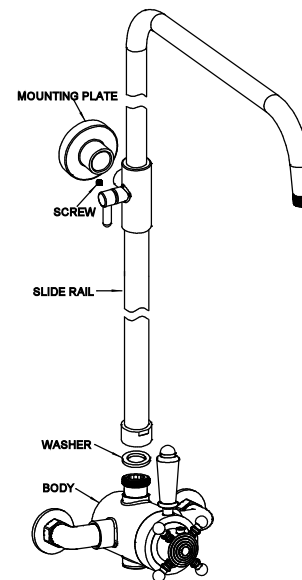
**Step 4:** Place the components and body as per the order above. Turn nuts on the body, then fix the mixer onto the wall with locking screws, tighten the nuts with spanner to seal.



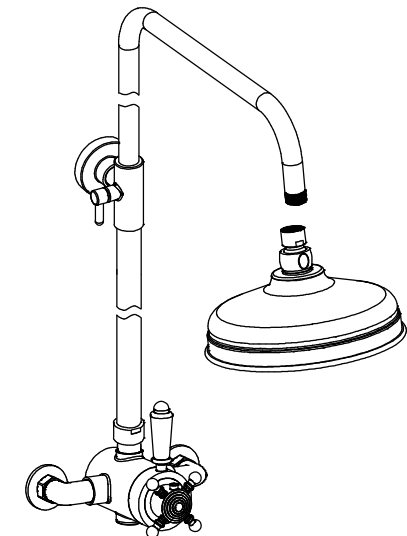
**Step 5:** Apply washer into the bottom of sliding rail, then fix the sliding rail onto the mixer body. Make markings for the position of the mounting plate, then take off the sliding rail.



**Step 6:** Place mounting plate against wall and make marking for a hole. Drill a hole of  $\varnothing 8\text{mm}$  with depth of 45mm. Tap in wall plug, then fix the mounting plate against wall with screw.



**Step 7:** Apply washer into the bottom of sliding rail then fix the sliding rail onto the mixer body. Then fix sliding rail onto mounting plate, tighten with screw.



**Step 8:** Finally install headshower.