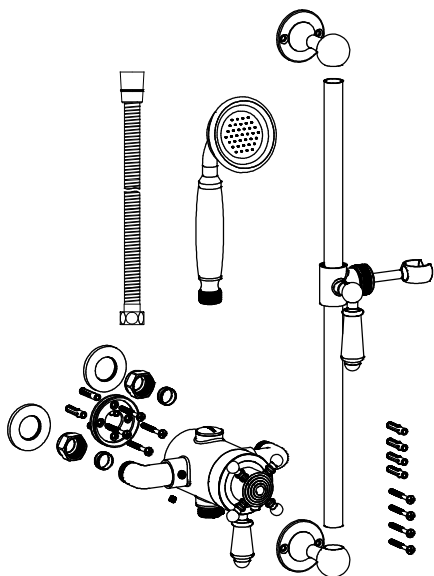
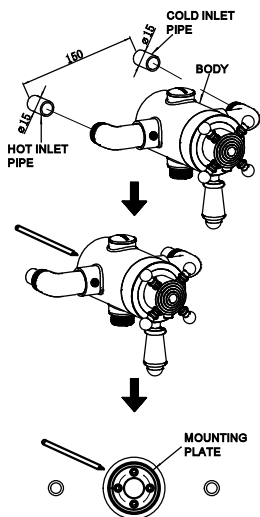


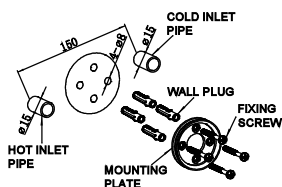
TRADITIONAL SHOWER KIT INSTALLATION INSTRUCTIONS



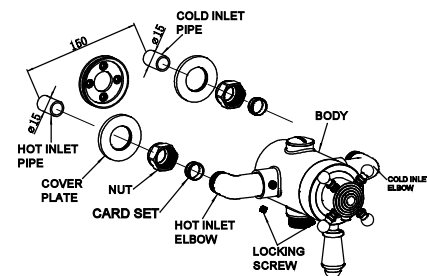
Step 1: Make sure all the components above are complete. Assemble shower holder to sliding rail.



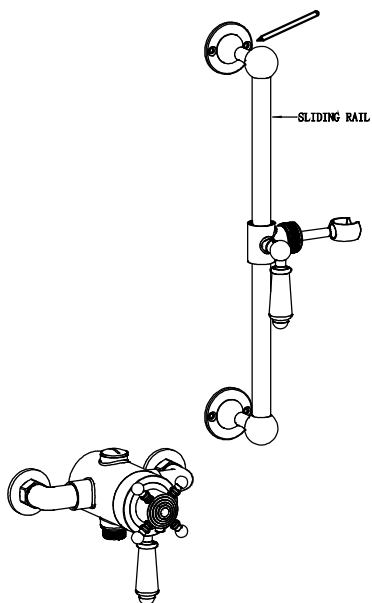
Step 2: Place the body on the wall and make markings. Then remove the body, place the mounting plate in the center of the marking, mark 4 locating holes.



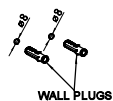
Step 3: Drill four holes of $\varnothing 8\text{mm}$ with depth of 45mm, tap in wall plugs. Then fix the mounting plate onto the wall with screws.



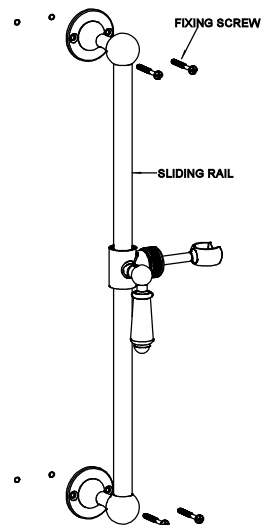
Step 4: Place the components and body as per the order above. Turn nuts on the body, then fix the mixer onto the wall with locking screws, tighten the nuts with spanner to seal.



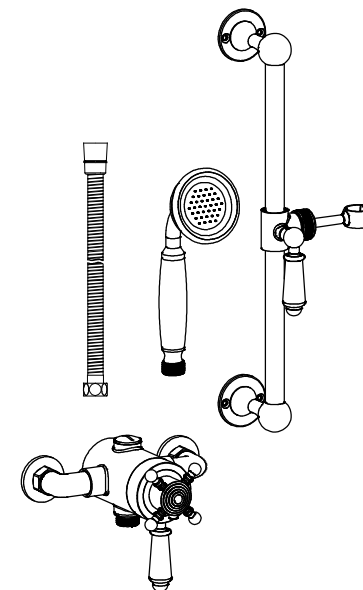
Step 5: Place the sliding rail against the wall in a proper position and make markings.



Step 6: Drill four holes of $\varnothing 8\text{mm}$ with depth of 45mm, tap in wall plugs.



Step 7: Fix the top and bottom brackets of the sliding rail with screws.



Step 8: Connect shower hose and handshower.