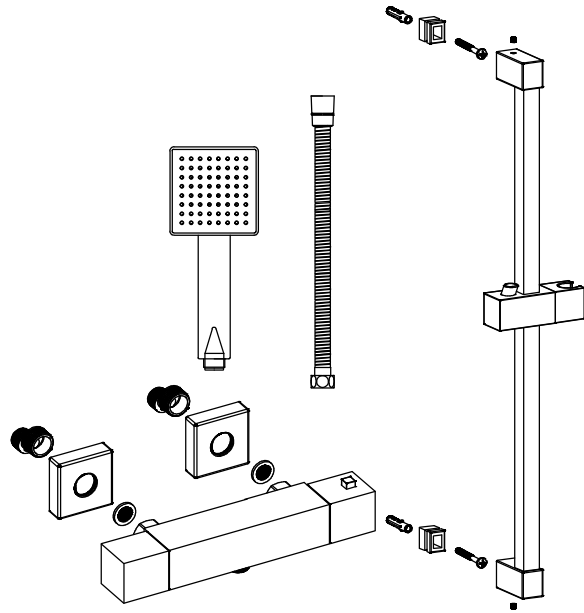
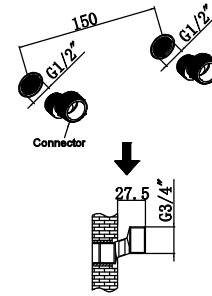


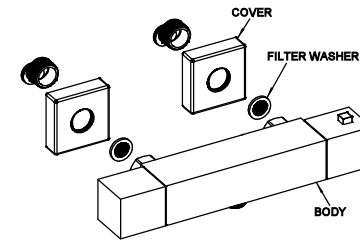
SQUARE SHOWER KIT INSTALLATION INSTRUCTIONS



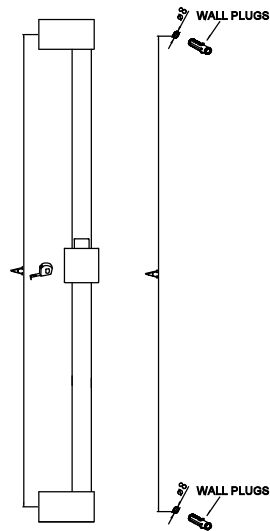
Step 1: Disassemble all the parts according to the figure above.



Step 2: Apply suitable thread sealant (not supplied) and attach the offset connectors to the pipework in the wall, making center distance of 150mm, 27.5mm from the wall.



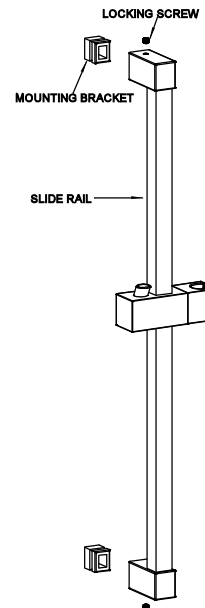
Step 3: Attach the covers against wall, place filters into the inlets. Then fix mixer onto the wall with spanner, checking for leakage.



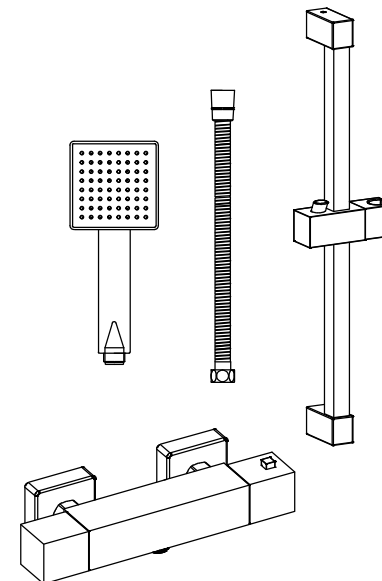
Step 4: Measure the center distance of the sliding rail with a tape measure, Drill two holes of Ø8mm with depth of 40mm, tap in wall plugs.



Step 5: Fix mounting brackets against wall with screws.



Step 6: Fixing the sliding rail to the wall brackets, then mount the sliding rail with locking screws



Step 7: Connect shower hose and handshower.