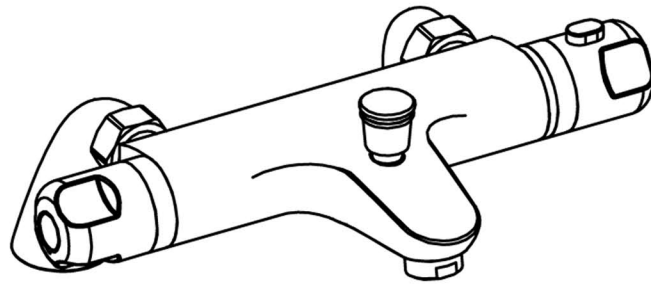


THERMOSTATIC BAR VALVE INSTALLATION INSTRUCTIONS



IMPORTANT

1. We recommend that this product is installed by a qualified professional contractor, such as a plumber who is certified by NVQ (National Vocational Qualification) or SNVQ (Scottish National Vocational Qualification) Level 3
2. Please check this product immediately to ensure that it has not been damaged and is complete. Before installation, please make sure this product is the correct model and you have all the parts required for installation and using.
3. All the valves should be supplied with hot and cold water at balanced pressure. If not, then the mixing function will not work correctly. It is necessary to fit non-return valves on both hot and cold fed pipes.
4. Please flush the water system to ensure that no metal swarf, solder, and other impurities can enter the valves.
5. Turn off water supply before commencing work, this should be done at the isolating valves of inlet feeds if fitted or main stopcock.
6. Please read these instructions carefully and keep it for future reference.

WORKING PRESSURE AND TEMPERATURE

The valve is suitable for both high and low pressure installation. To ensure that the valve works well under low water pressure, the cold water storage tank must be at least 2 meters above the installed position.

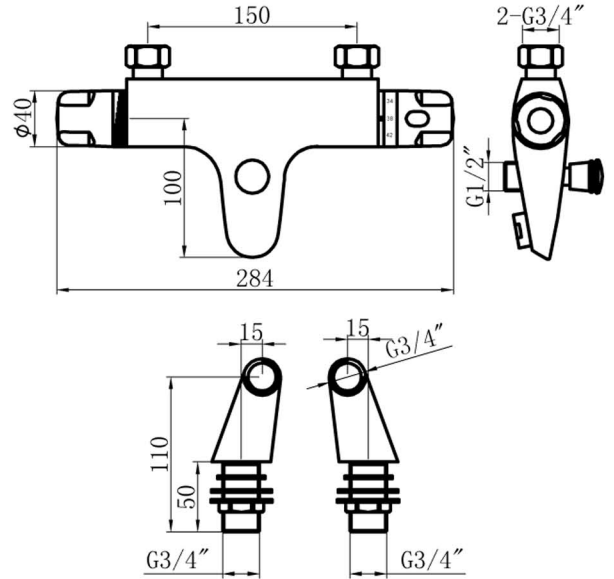
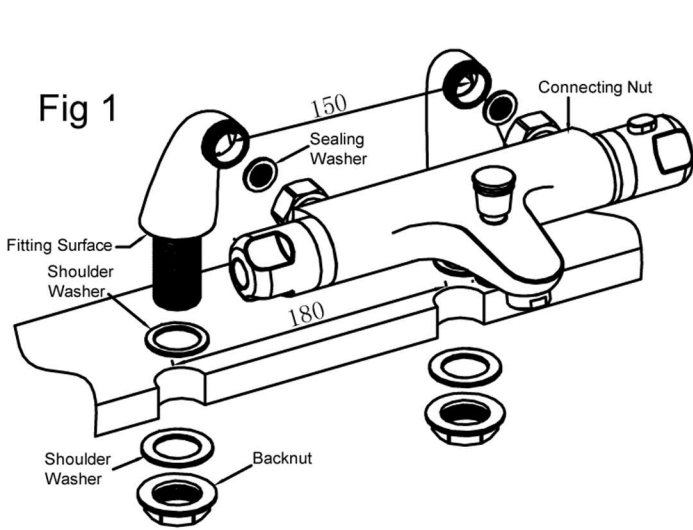
Maximum Static Pressure: 10 Bar

Flow Pressure, Hot & Cold: 0.1-5 Bar

Hot Supply Temperature: 55-65 °C

Cold Supply Temperature: 5-25 °C

COMPONENTS AND DIMENSION DRAWING

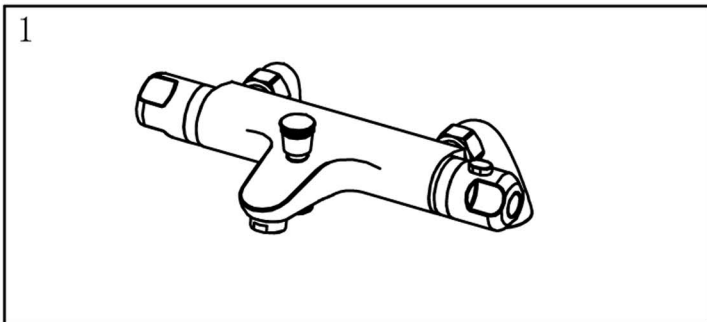


1. Identify all components
2. Prior to installation flush out pipework to remove debris.
3. Place washers into connecting nuts at rear of body prior to assembly of pillars.
4. Screw pillars to body ensuring that each pillar is angled outwards (see Fig 1) from the connecting nut to give correct centres to fit on bath. Fully tighten nuts.
5. Place washers onto threaded section of pillars. Insert pillars through holes in bath.
6. From underside fit and tighten backnut until mixer is secure. Do not overtighten, otherwise you risk damage to bath.
7. Reconnect supply pipes checking that the sealing washers are in good condition (if not replace). Again do not overtighten. It is recommended that the hot water supply be connected to the left hand fitting when installed.
8. Turn on water supply to refill system and check for leaks. If any leaks are noticed, check that the connections are adequately tightened. Once the connections are satisfactory, you can then connect your shower kit (if applicable)

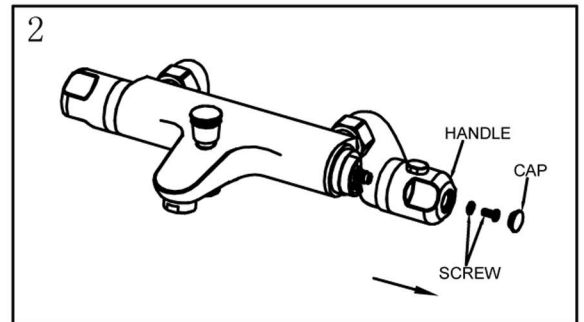
TEMPERATURE SETTING

The temperature control handles on this product are factory set and should require no adjustment.

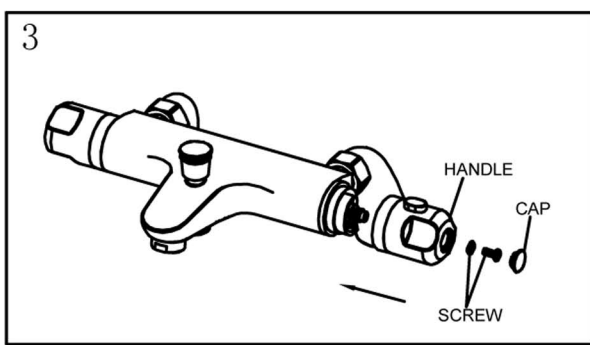
However, if for any reason the handles and/or the cartridge is removed, it is important the following procedures are followed.



- 1) Quarter-turn the handle on the right anti-clockwise, the water will come out.
- 2) Allow the water temperature to stabilize around 3 minutes and check the temperature by thermometer.
- 3) Proceed if temperature is not 38°C.



- 1) Take off the cap.
- 2) Untighten the screw.
- 3) Get out the handle.



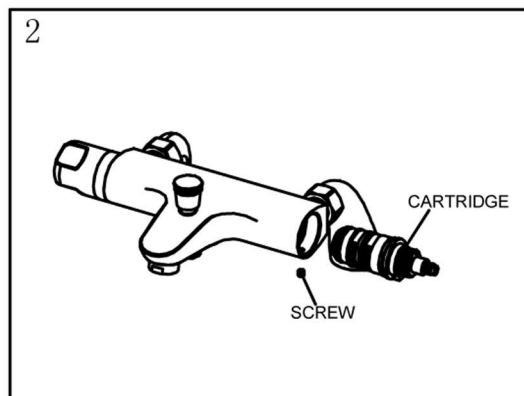
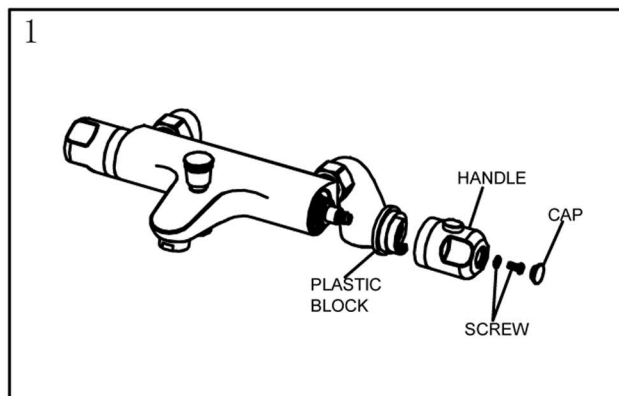
- 1) Turn on the valve.
- 2) Temperature is up when valve stem is turned clockwise, temperature is down when valve stem is turned anti-clockwise.
- 3) When temperature is correctly set, fix the handle back to the valve as show above.
- 4) Tighten the screw, adjust the handle properly, then fix the cap to the handle.

MAINTENANCE (THERMOSTATIC CARTRIDGE)

* After a long time usage of thermostatic valve, there will be some waste or debris from the water pipe on and around the thermostatic cartridge, which will affect the flow and sensitivity of automatical temperature adjustment. Please take out the thermostatic cartridge and clean the cartridge strainer

* To avoid damage, please remove all chrome parts before any maintenance takes place.

- 1) Take off the cap, untighten the screw, to get out handle. Then get out plastic block. (See Fig. 1)
 - 2) Unscrew with spanner and pull out cartridge. (See Fig. 2)
 - 3) Wash the cartridge with clean running water, dry and lightly grease the seals (only use silicone grease).
 - 4) Replace the cartridge and make sure it back to the primary position.
- * Cartridge Type: " H101R " is the spare part number of thermostatic cartridge.



TROUBLE SHOOTING

1. Output water temperature does not correspond with temperature set

Cause: Thermostat has not been adjusted base on the existing home water system

Remedy: Adjust the thermostat , refer to “Temperature Setting” procedure.

Cause: Hot Water temperature too low.

Remedy: Adjuster the water heater , increase hot water temperature to 65 °C.

2. Crossflow, cold water being forced into hot water pipe, or vice versa, when valve is closed

Cause: Non-return valves dirty or leaking

Remedy: Clean the non-return valves or exchange if necessary

3. Very low flow or no flow

Cause: Supply pressure inadequate

Remedy: Check hot and cold feeds . If a pump has been installed, please check to see if the pump is working.(the valve will shut down if either the cold or hot water supply fails)

4. Water will not run hot enough when first installed

Cause: Wrong maximum temperature setting

Remedy: Adjust the maximum temperature , refer to “Temperature Setting” procedure.

CLEANING

We do NOT recommend you use any household cleaners to clean the product, because these cleaners change substance or formula too frequently. So product should be always cleaned only with soapy water and rinsing with clean water and drying with soft cloth.