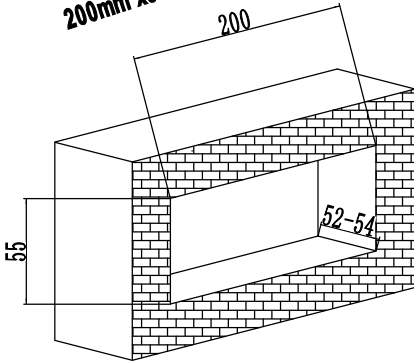
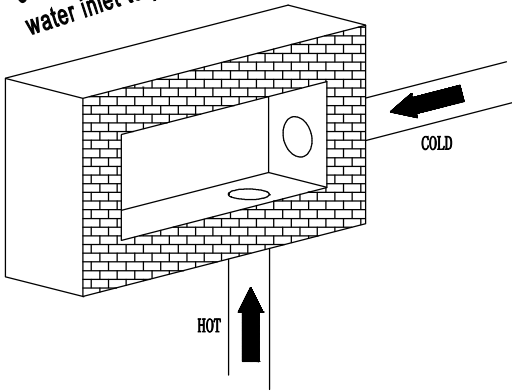


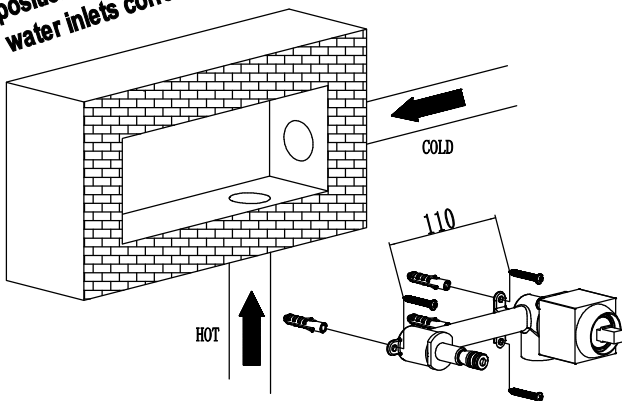
Step 1:
 Determine the fixing position for the faucet body. Make a groove in the wall according to the faucet body. The dimension of the groove should be 200mm x55mm.



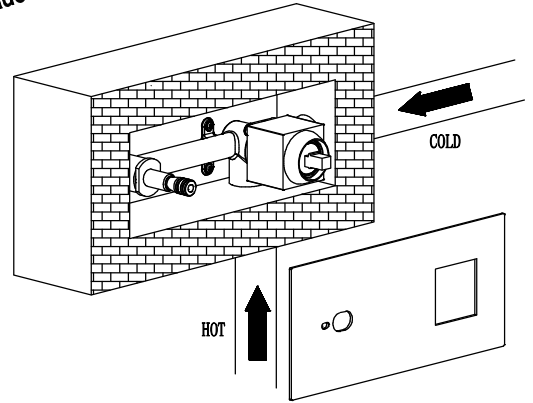
Step 2:
 Drill the holes on the wall and connect the cold water inlet and hot water inlet to proper positions.



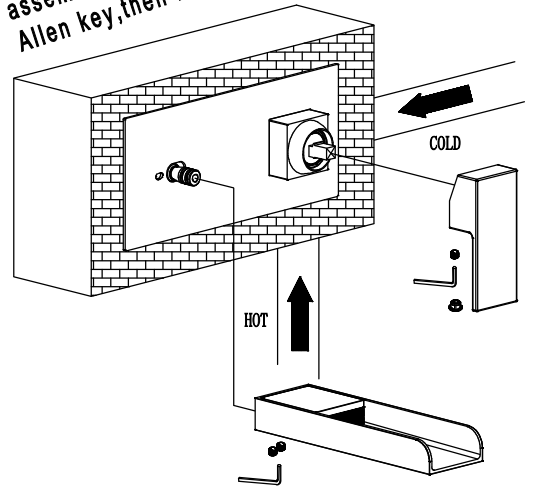
Step 3:
 Install the tap body to the right position and make sure Hot&Cold water inlets correct



Step 4:
 Secure the cover plate onto the faucet body with sealant.



Step 5:
 Remove the indice from the handle, and assemble the handle and spout using the Allen key, then fix the indice to the handle.



Step 6:
 Installation completed.

