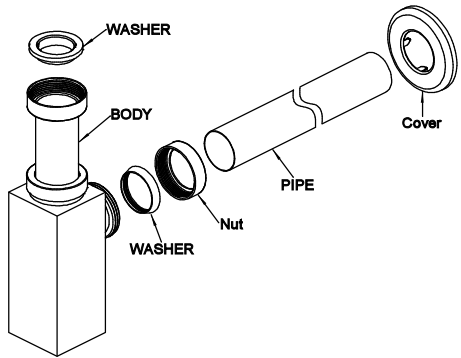
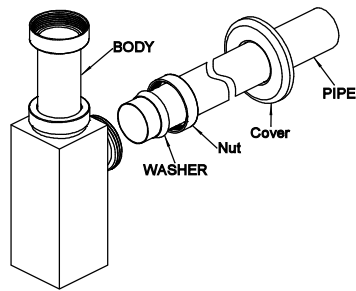


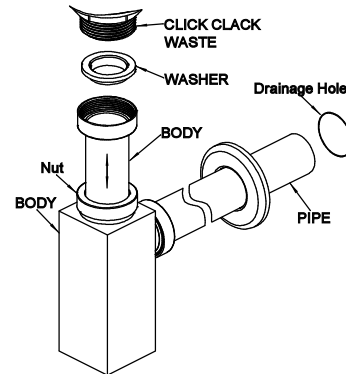
BOTTLE TRAP INSTALLATION INSTRUCTIONS



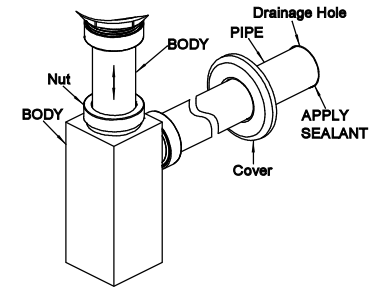
Step 1: Disassemble all the parts according to the figure above.



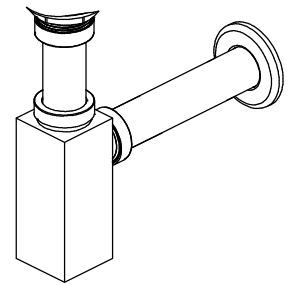
Step2: Put washer,nut and cover on the pipe,then connect pipe to the body.



Step3: Loosen the nut, and then pull the body to adjust up and down, so that the outlet of the body is in line with the drainage hole. Insert the pipe into the drainage hole, put the washer into the body, install it on the click clack basin waste, and then tighten the seal.



Step4: Apply sealant between drainage hole and pipe,tighten the nut. After the sealant solidifies, pour the water into the basin for drainage, test for water leakage, and finally install the decorative cover on the wall.



Step5: Installation is completed.