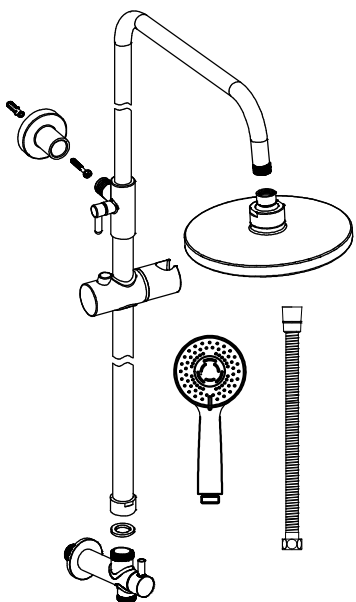
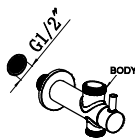


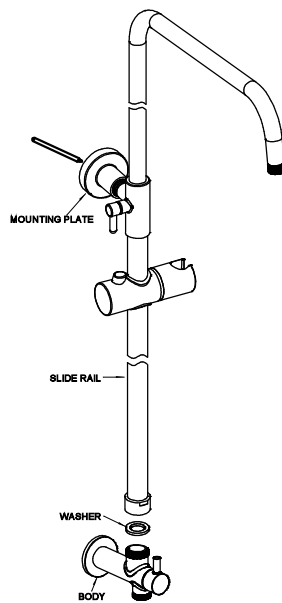
## Shower Kit Installation Instruction



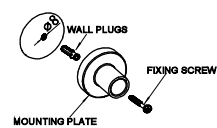
Step 1: Disassemble all the parts according to the figure above.



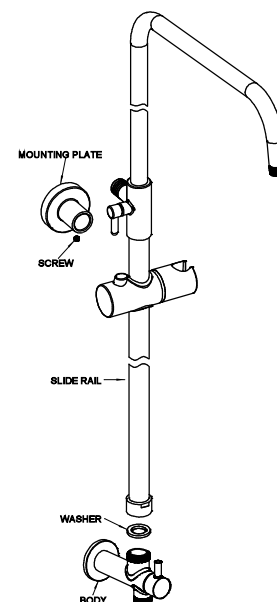
Step 2: Apply sealant on the thread of the body and then install it into the wall.



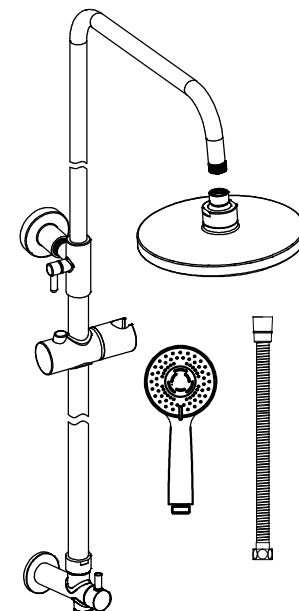
Step 3: Apply washer into the bottom of sliding rail, then fix the sliding rail onto the mixer body. Make markings for the position of the mounting plate, then take off the sliding rail.



Step 4: Place mounting plate against wall and make markings for a hole. Drill a hole of Ø8mm with depth of 45mm. Tap in wall plug, then fix the mounting plate against wall with screw.



Step 5: Apply washer into the bottom of sliding rail then fix the sliding rail onto the mixer body. Then fix sliding rail onto mounting plate, tighten with screw.



Step 6: Finally connect shower hose, handshower and headshower to the shower mixer.