

Ceraline Basin Mixer Including Clicker Waste

ILLUSTRATED

BC186 Ceraline single lever basin mixer including clicker waste

ILLUSTRATED PRODUCT DETAILS

Weights

BC186 0.01 KG

Finishes

BC186  Chrome (AA)

Materials

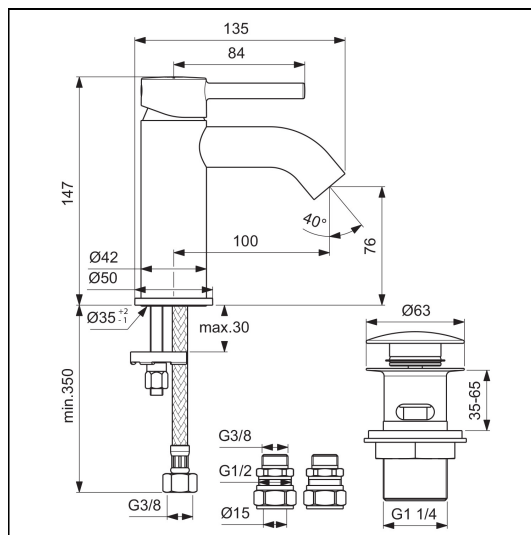
BC186 Chrome Plated Brass

Flow rates

BC186 5 Litres per minute @ 3 bar pressure

Special Notes

Suitable for balanced supplies. Inlets with flexible hoses and connections for 15mm copper tails. Consideration should be given to safe hot water delivery and the use of an appropriate temperature reduction device. Fitted with a 5 lpm outlet flow regulator. Unregulated flow rate 4.8 litres per minute at 0.2 bar.



ACCREDITATIONS

BC186(AA)

