

Concept Bath Shower Mixer, 1 Hole

ILLUSTRATED

B9990 Concept bath shower 1 hole mixer with shower set

ILLUSTRATED PRODUCT DETAILS

Weights

B9990 2.63 KG

Finishes

B9990  Chrome (AA)

Materials

B9990 Chrome Plated Brass

Flow rates

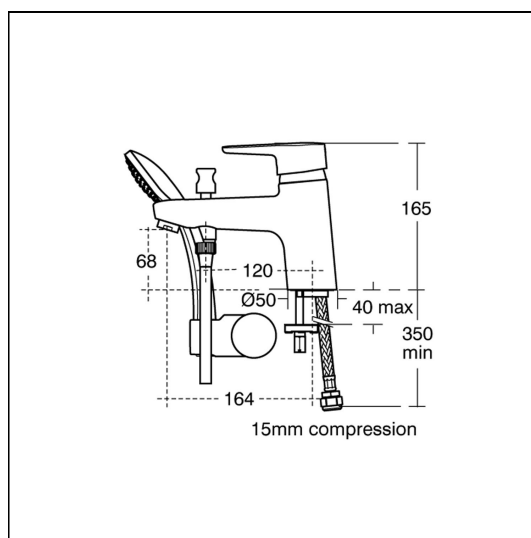
B9990 8 Litres per minute @ 3 bar pressure

Standards

Suitable for balanced supplies. Inlets 15mm plain copper tails.

Special Notes

When installed in commercial applications A5901AA a 22mm thermostatic blending valve must be used. Flow rate with fitted regulator 8 litres per minute (handspray). Unregulated flow rate 16 litres per minute at 1.5 bar (bathfill).



ACCREDITATIONS

B9990(AA)

