

# Cerasprint Sink Mixer 1 Hole Ceramic Disc Single Lever, Pull Out 2 Function Swivel Spout

## ILLUSTRATED

**B5347** Cerasprint sink mixer 1 hole, ceramic disc single lever, single flow two function pull out swivel spout

## ILLUSTRATED PRODUCT DETAILS

### Weights

**B5347** 2.98 KG

### Finishes

**B5347**  Chrome (AA)

### Materials

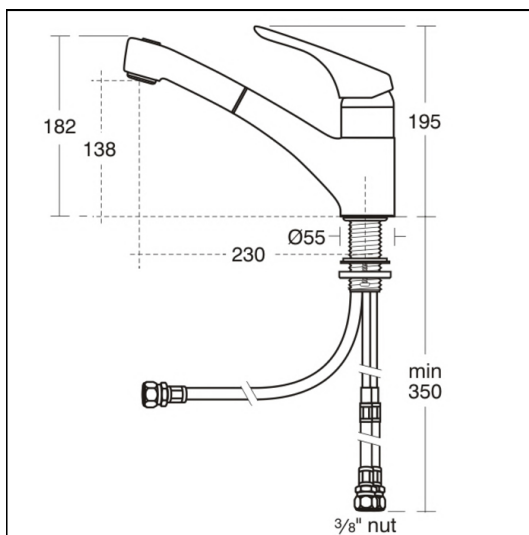
**B5347** Chrome Plated Brass

### Flow rates

**B5347** 6 Litres per minute @ 3 bar pressure

### Special Notes

Suitable for high pressure balanced supplies. Inlets with flexible hoses with connections screwed 3/8in BSP female. Unregulated flow rate 10 litres per minute at 0.5 bar.



## FEATURES

