

Cerasprint Sink Mixer 1 Hole Ceramic Disc Single Lever, Swivel Spout

ILLUSTRATED

B5344 Cerasprint sink mixer 1 hole, ceramic disc single lever, single flow swivel spout

ILLUSTRATED PRODUCT DETAILS

Weights

B5344 2.73 KG

Finishes

B5344  Chrome (AA)

Materials

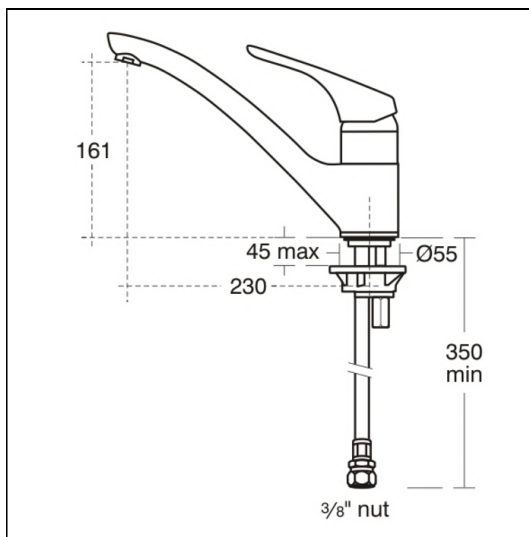
B5344 Chrome Plated Brass

Flow rates

B5344 5 Litres per minute @ 3 bar pressure

Special Notes

Suitable for high pressure balanced supplies. Inlets with flexible hoses with connections screwed 3/8in BSP female. Unregulated flow rate 10 litres per minute at 0.5 bar.



FEATURES

