

Ceraflex 1 Tap Hole Bath Filler

ILLUSTRATED

B1959 Ceraflex 1 tap hole bath filler single lever

ILLUSTRATED PRODUCT DETAILS

Weights

B1959 1.40 KG

Materials

B1959 Chrome Plated Brass

Finishes

B1959  Chrome (AA)

Flow rates

B1959 27 Litres per minute @ 3 bar pressure

Designer

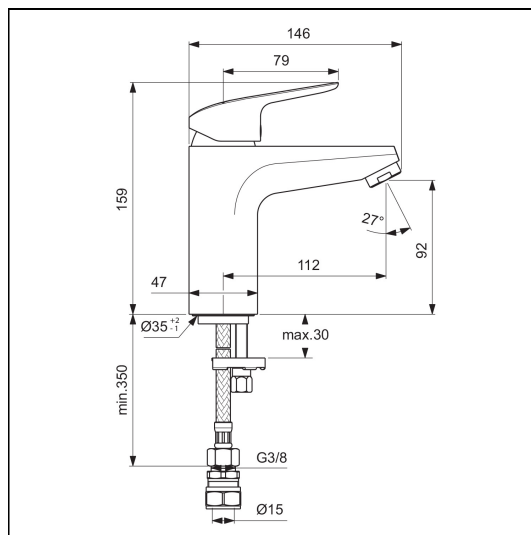
Artefakt Industriekultur

Standards

BS EN 817

Special Notes

Suitable for balanced supplies. Inlets 15mm plain copper tails. Consideration should be given to safe hot water delivery and the use of an appropriate temperature reduction device.



ACCREDITATIONS

B1959(AA)

