

Ceraflex Basin Mixer with pop up waste

ILLUSTRATED

B1811 Ceraflex basin mixer with pop up waste

ILLUSTRATED PRODUCT DETAILS

Weights

B1811 1.53 KG

Finishes

B1811  Chrome (AA)

Materials

B1811 Chrome Plated Brass

Flow rates

B1811 5 Litres per minute @ 3 bar pressure

Designer

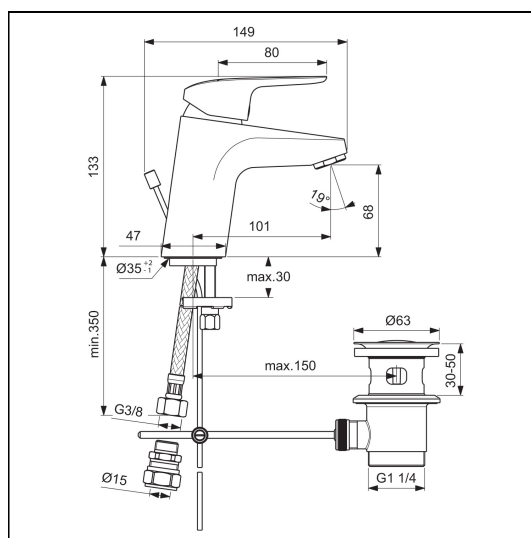
Artefakt Industriekultur

Standards

BS EN 817

Special Notes

Suitable for balanced supplies. Inlets with flexible hoses and connections for 15mm copper tails. Consideration should be given to safe hot water delivery and the use of an appropriate temperature reduction device. Fitted with a 5 lpm outlet flow regulator.



ACCREDITATIONS

B1811(AA)



FEATURES

