

Tempo Mini Single Lever Basin Mixer

ILLUSTRATED

B1480 Tempo mini single lever basin mixer

ILLUSTRATED PRODUCT DETAILS

Weights

B1480 2.30 KG

Materials

B1480 Chrome Plated

Finishes

B1480  Chrome (AA)

Flow rates

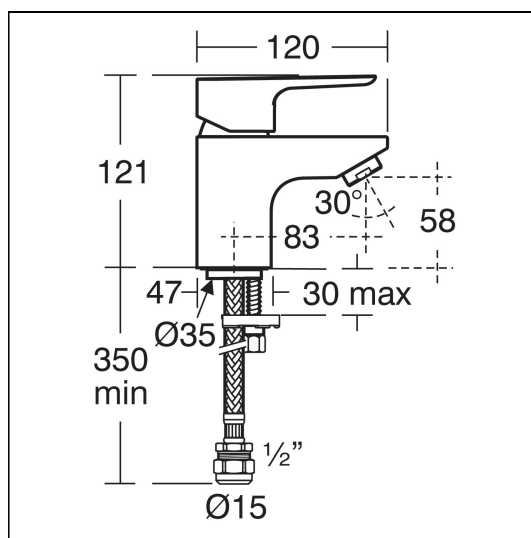
B1480 5 Litres per minute @ 3 bar pressure

Designer

Artefakt Industriekultur

Special Notes

Suitable for balanced supplies. Inlets with flexible tails and connections for 15mm copper tubes. Fitted with a 5 lpm outlet flow regulator. Flow straightener also supplied for low pressure installations. Unregulated flow rate 5.8l/min at 0.2bar. When installed in commercial applications a thermostatic blending valve such as A5900AA must be used.



FEATURES

