

Calista Bath Filler 2 Hole Dual Control

ILLUSTRATED

B1151 Calista dual control two hole bath filler

ILLUSTRATED PRODUCT DETAILS

Weights

B1151 1.60 KG

Materials

B1151 Chrome Plated Brass

Finishes

B1151  Chrome (AA)

Flow rates

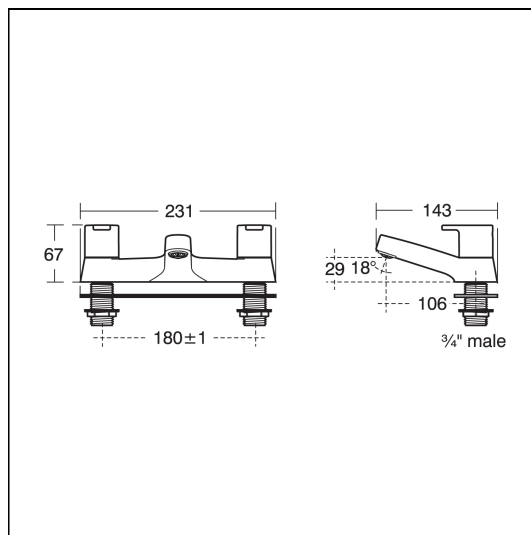
B1151 70 Litres per minute @ 3 bar pressure

Designer

Robin Levien, RDI

Special Notes

Unregulated flow rate 17 litres per minute at 0.1 bar.



ACCREDITATIONS



1301022