

Calista Basin Mixer 1 Hole With Pop-Up Waste

ILLUSTRATED

B1148 Calista single lever one hole basin mixer with pop-up waste

ILLUSTRATED PRODUCT DETAILS

Weights

B1148 1.40 KG

Finishes

B1148  Chrome (AA)

Materials

B1148 Chrome Plated Brass

Flow rates

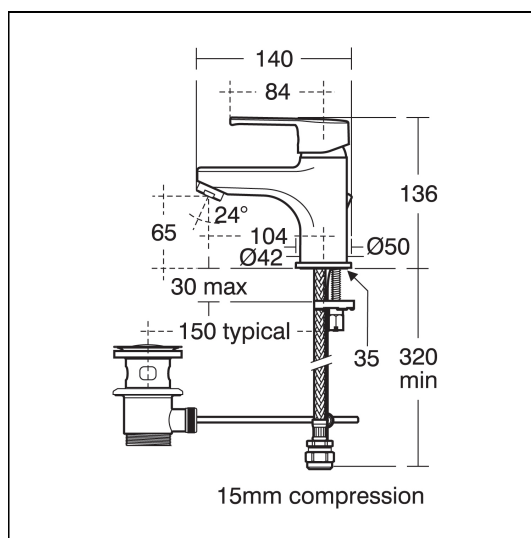
B1148 5 Litres per minute @ 3 bar pressure

Designer

Robin Levien, RDI

Special Notes

Consideration should be given to safe hot water delivery and the use of an appropriate temperature reduction device. Regulated flow rate 5 litres per minute at 1 bar.



FEATURES

