

Tempo 1 Hole Bath Filler

ILLUSTRATED

B0732 Tempo 1 hole bath filler

OPTIONS

A5901 TMV Thermostatic mixing valve 22mm

ILLUSTRATED PRODUCT DETAILS

Weights

B0732 2.68 KG

Materials

B0732 Chrome Plated

Finishes

B0732  Chrome (AA)

Flow rates

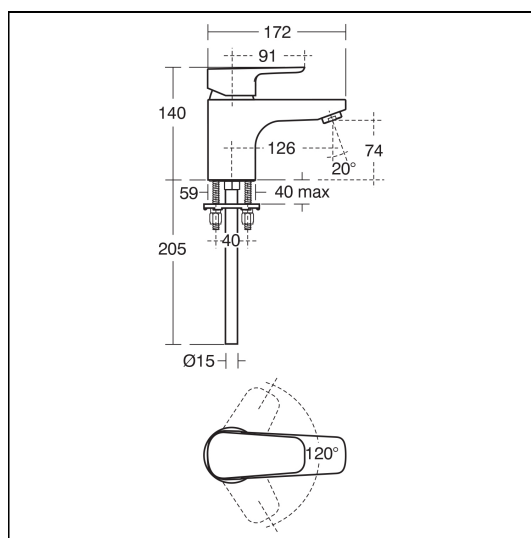
B0732 50 Litres per minute @ 3 bar pressure

Designer

Artefakt Industriekultur

Special Notes

Suitable for balanced supplies. Inlets with connections for 15mm copper tubes. It is recommended that a thermostatic blending valve such as A5901AA should be used.



ACCREDITATIONS



1601012